

F

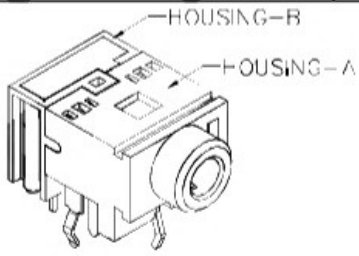
E

D

C

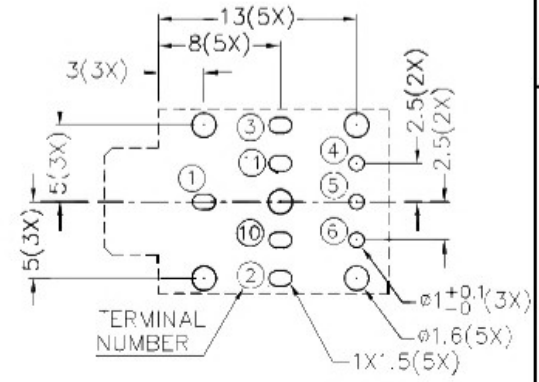
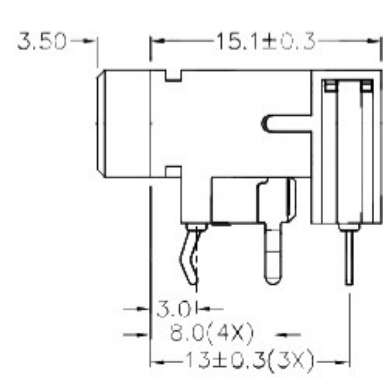
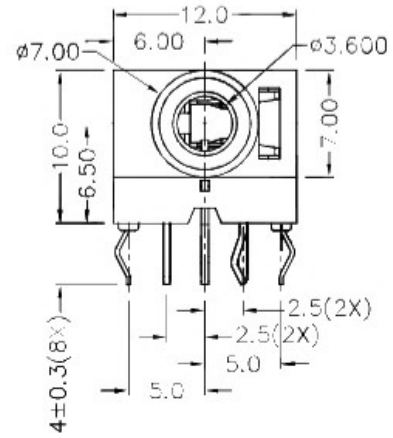
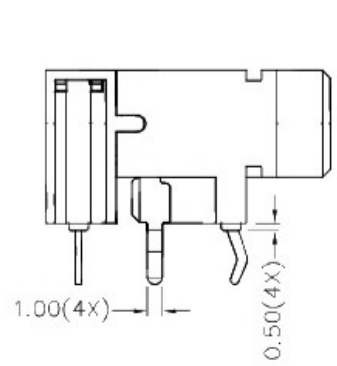
B

A

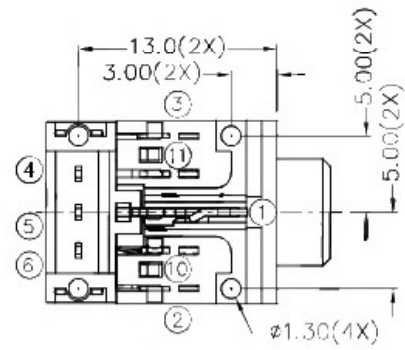


RoHS
Compliant

ZONE	SYMBOL	REVISION	A-PROVAL	DATE

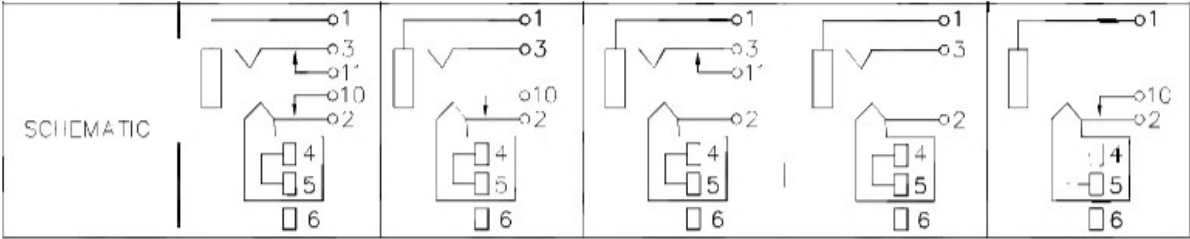
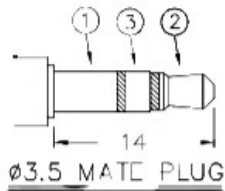


RECOMMENDED PCB LAYOUT
TOLERANCE: +0.05
(TOP VIEW)



* MATERIAL

- TERMINAL 1 : BRASS
- TERMINAL 2 : COPPER ALLOY
- TERMINAL 3 : COPPER ALLOY
- TERMINAL 10 : BRASS
- TERMINAL 11 : BRASS
- TERMINAL 4,5,6 : BRASS
- HOUSING-A : THERMOPLASTIC
- HOUSING-B : THERMOPLASTIC
- COVER : THERMOPLASTIC
- INSULATOR : THERMOPLASTIC
- SPRING : STAINLESS STEEL
- CONTACT CLIP : COPPER ALLOY



广东科斯达开关厂

DESIGN	J.X.KUANG	DATE	15-7-2011	SCAIF	2:1
DRAWING	H.Q.ZHOU	DATE	23-12-2016	MATERIAL	*
CHECK	T.Y.LI	DATE	23-12-2016	DWG. NO.	TZ\SH356-12-B/1.0
APPROVAL		DATE		SHEET	

PART NAME	3.5mm STEREO JACK	TOLERANCE UNLESS	0.0=0.2	UNIT:	mm
PART NO.		OTHERWISE SPECIFIED:	0.00±0.1		
			0.00±0.05		

F

E

D

C

B

A