

F

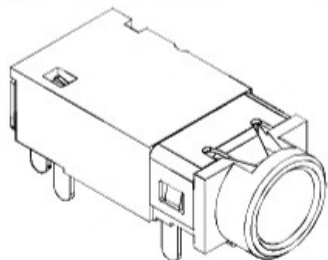
E

D

C

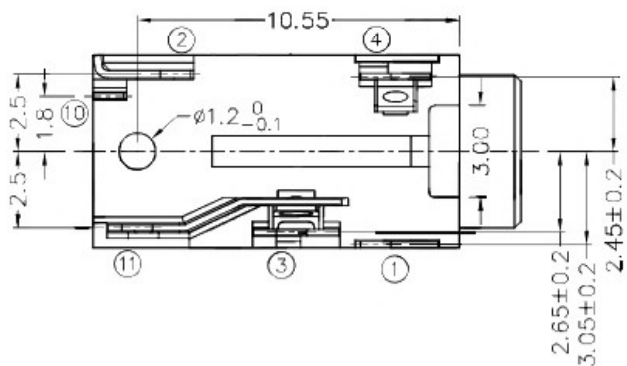
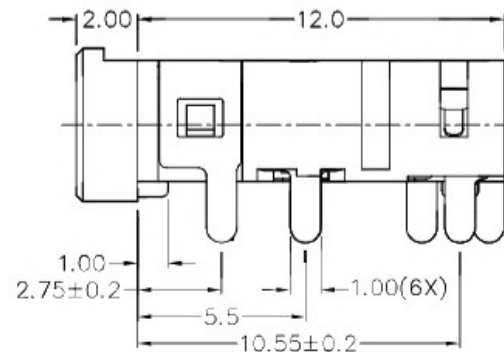
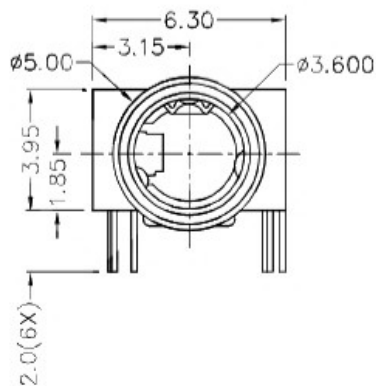
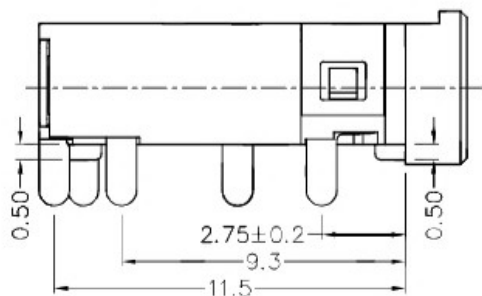
B

A



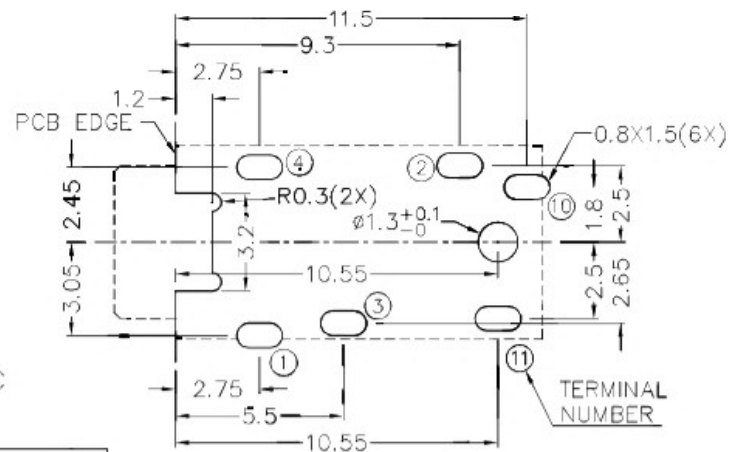
RoHS  
Compliant

ZONE	SYMBOL	REVISION	APPROVAL	DATE

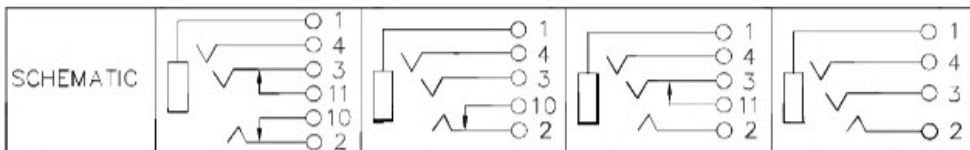
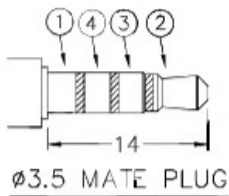


\* MATERIAL

TERMINAL 1 : COPPER ALLOY  
 TERMINAL 2 : COPPER ALLOY  
 TERMINAL 3 : COPPER ALLOY  
 TERMINAL 4 : COPPER ALLOY  
 TERMINAL 10 : COPPER ALLOY  
 TERMINAL 11 : COPPER ALLOY  
 HOUSING : HIGH TEMP. PLASTIC



RECOMMENDED PCB LAYOUT  
 TOLERANCE: ±0.05  
 (TOP VIEW)



**广东科斯达开关厂**

PART NAME		3.5mm STEREO JACK		TOLERANCE UNLESS 0.0±0.2		UNIT: mm		DESIGN	T.Y.LI	DATE	28-11-2007	SCALE	4:1
PART NO.		OTHERWISE SPECIFIED: 0.00±0.1		0.00±0.1		0.000±0.05		DRAWING	J.CH.OU	DATE	5-1-2017	MATERIAL	*
								CHECK	H.L.TAN	DATE	5-1-2017	DWG. NO.	TZ\SH395-A/1.0
								APPROVAL		DATE		SHEET	

F

E

D

C

B

A