

F

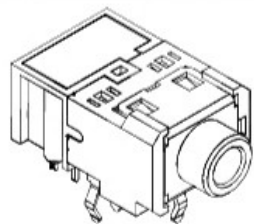
E

D

C

B

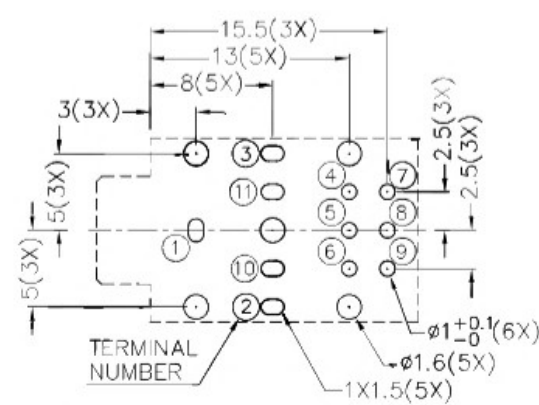
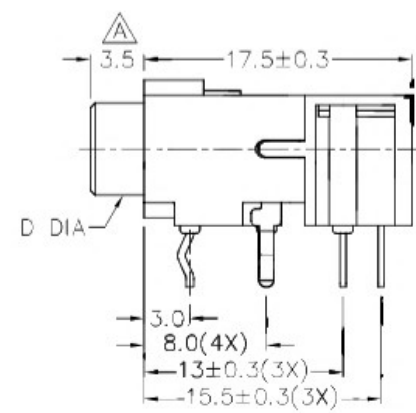
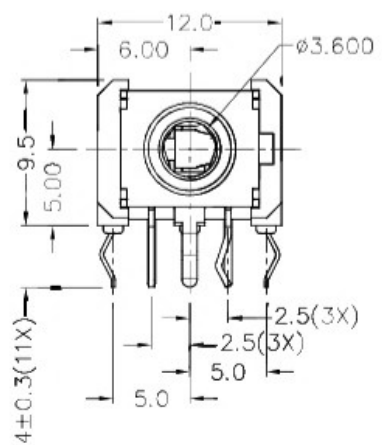
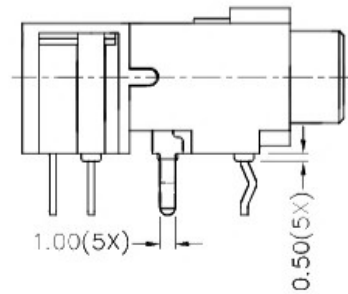
A



RoHS Compliant

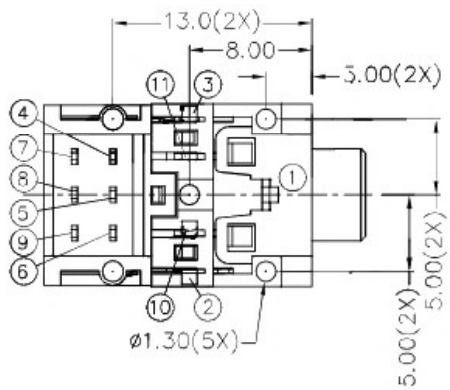
ZONE	SYMBOL	REVISION	APPROVAL	DATE
C1	△	UPDATE UNIT DECIMAL	J.X.KUANG	18-5-2018

1



RECOMMENDED PCB LAYOUT TOLERANCE: ±0.05 (TOP VIEW)

2

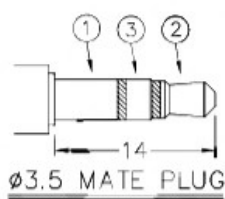


3

* MATERIAL

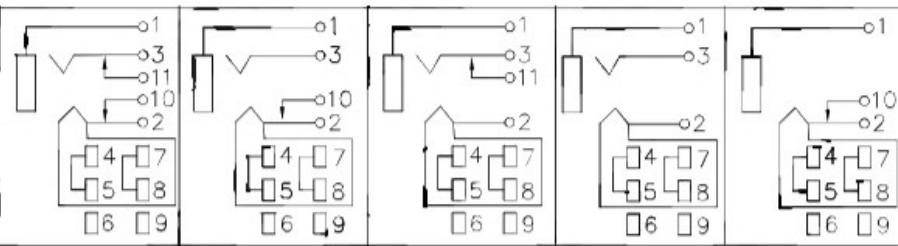
- TERMINAL 1 : COLD ROLLED STEEL
- TERMINAL 2 : COPPER ALLOY
- TERMINAL 3 : COPPER ALLOY
- TERMINAL 10 : BRASS
- TERMINAL 11 : BRASS
- TERMINAL 4,5,6,7,8,9 : BRASS
- BUSHING : BRASS
- HOUSING-A : THERMOPLASTIC
- HOUSING-B : THERMOPLASTIC
- COVER : THERMOPLASTIC
- INSULATOR : THERMOPLASTIC
- SPRING 1 : STAINLESS STEEL
- SPRING 2 : COPPER ALLOY
- CONTACT CLIP : COPPER ALLOY

4



D DIA

SCHEMATIC



广东科斯达开关厂

DESIGN	J.X.KUANG	DATE	6-10-2003	SCALE	2:1
DRAWING	H.Q.ZHOU	DATE	18-5-2018	MATERIAL	*
CHECK	T.Y.LI	DATE	18-5-2018	DWG. NO.	TZ\SH357-22-B/1.2
APPROVAL		DATE		SHEET	

PART NAME	3.5mm STEREO JACK	TOLERANCE UNLESS	0.0±0.2	UNIT:	mm
PART NO.		OTHERWISE SPECIFIED:	0.00±0.1 0.000±0.05		

F

E

D

C

B

A