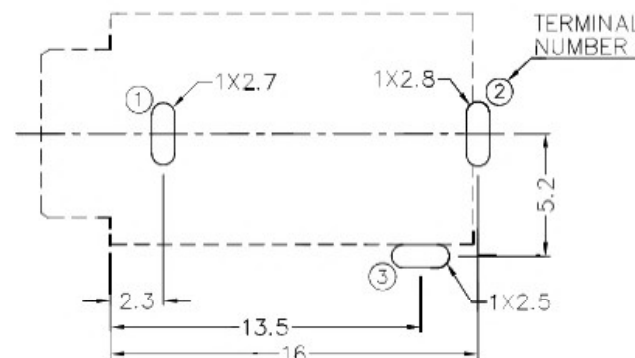
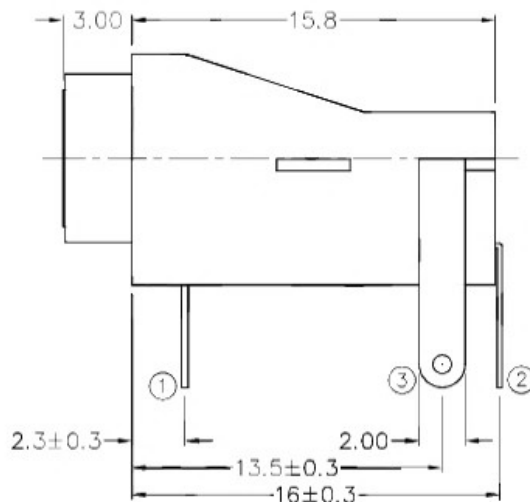
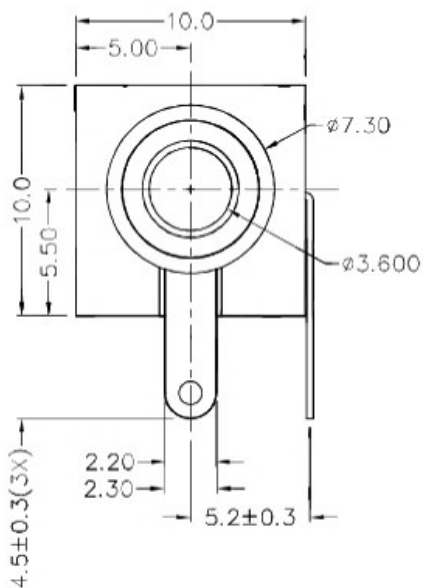


ZONE	SYMBOL	REVISION	APPROVAL	DATE
		UPDATE PLUG DIMENSIONS	J.X.KUANG	3-1-2018

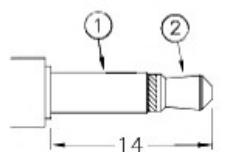
RoHS  
Compliant



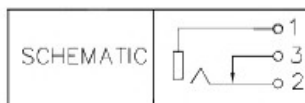
RECOMMENDED PCB LAYOUT  
TOLERANCE: ±0.05  
(TOP VIEW)

\* MATERIAL

- TERMINAL 1 : BRASS
- TERMINAL 2 : COPPER ALLOY
- TERMINAL 3 : BRASS
- BUSHING : BRASS
- INSULATION CAP : THERMOPLASTIC
- HOUSING : THERMOPLASTIC



φ3.5 MATE PLUG



 **广东科斯达开关厂**

DESIGN	T.Y.LI	DATE	30-7-2005	SCALE	3:1
DRAWING	Y.J.GUO	DATE	3-1-2018	MATERIAL	*
CHECK	H.L.TAN	DATE	3-1-2018	DWG. NO.	TZ\TH35C-B/1.1
APPROVAL		DATE		SHEET	

PART NAME	3.5mm PHONE JACK	TOLERANCE UNLESS	0.0±0.2	UNIT:	mm
PART NO.		OTHERWISE SPECIFIED:	0.00±0.1 0.000±0.05		