

F

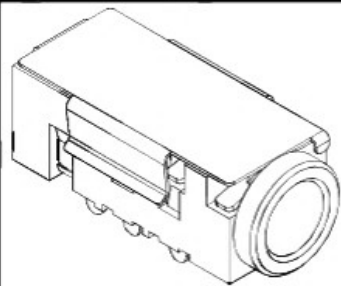
E

D

C

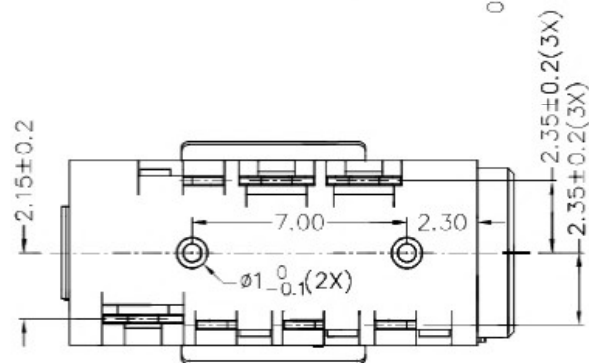
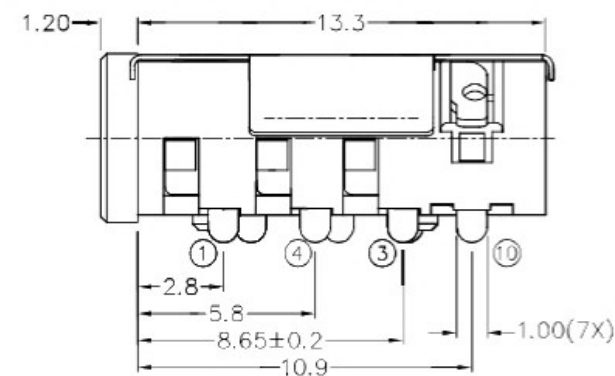
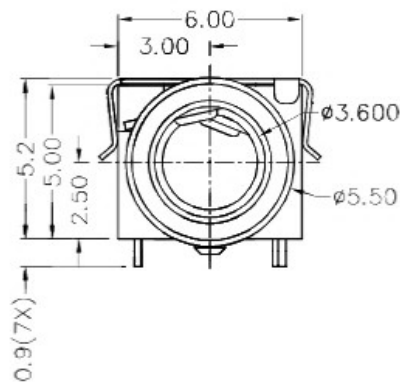
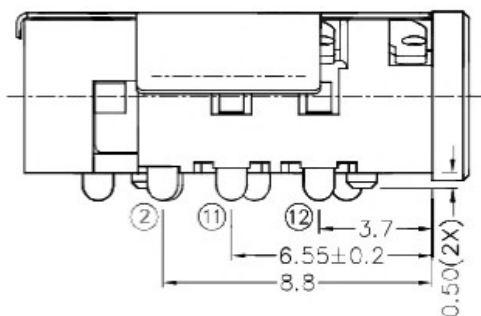
B

A



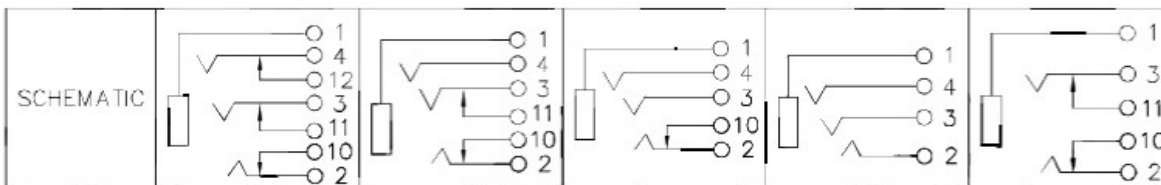
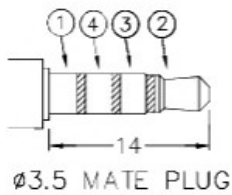
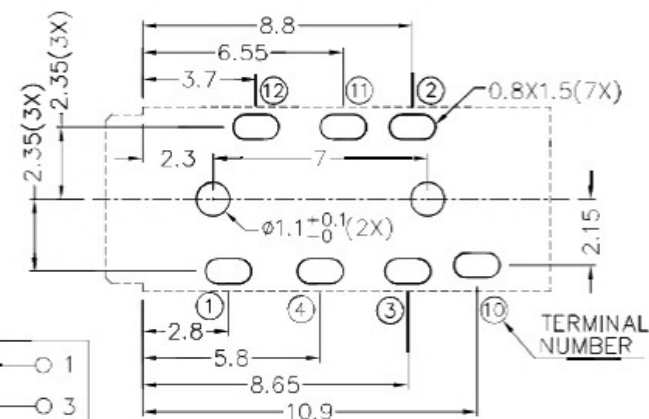
RoHS
Compliant

ZONE	SYMBOL	REVISION	APPROVAL	DATE



* MATERIAL

TERMINAL 1 : COPPER ALLOY
 TERMINAL 2 : COPPER ALLOY
 TERMINAL 3 : COPPER ALLOY
 TERMINAL 4 : COPPER ALLOY
 TERMINAL 10 : BRASS
 TERMINAL 11 : BRASS
 TERMINAL 12 : BRASS
 SHIELD : STAINLESS STEEL
 HOUSING : HIGH TEMP. PLASTIC



RECOMMENDED PCB LAYOUT
 TOLERANCE: ± 0.05
 (TOP VIEW)

广东科斯达开关厂

DESIGN	T.Y.LI	DATE	19-7-2007	SCALE	4:1
DRAWING	H.Q.ZHOU	DATE	3-1-2017	MATERIAL	*
CHECK	H.L.TAN	DATE	3-1-2017	DWG. NO.	TZ/SH391S1-2-A/1.0
APPROVAL		DATE		SHEET	

PART NAME	3.5mm STEREO JACK w/HANDING SHIELD	TOLERANCE UNLESS	0.0±0.2	UNIT:	
PART NO.		OTHERWISE SPECIFIED:	0.00±0.1 0.000±0.05	mm	

F

E

D

C

B

A