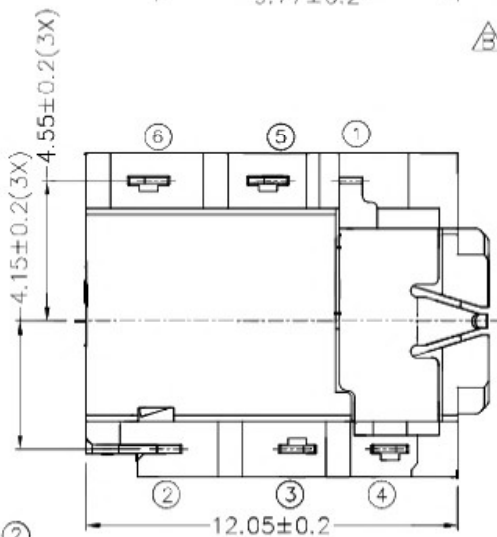
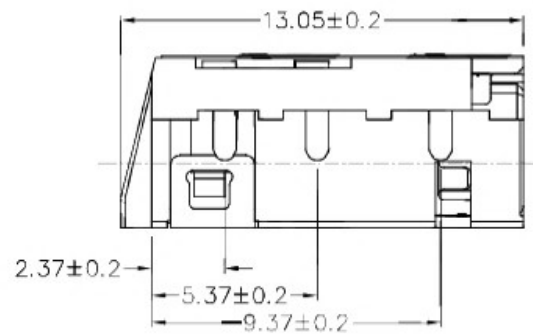
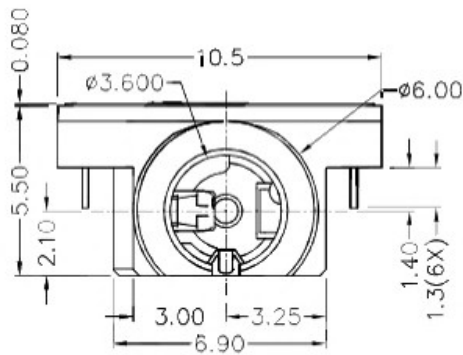
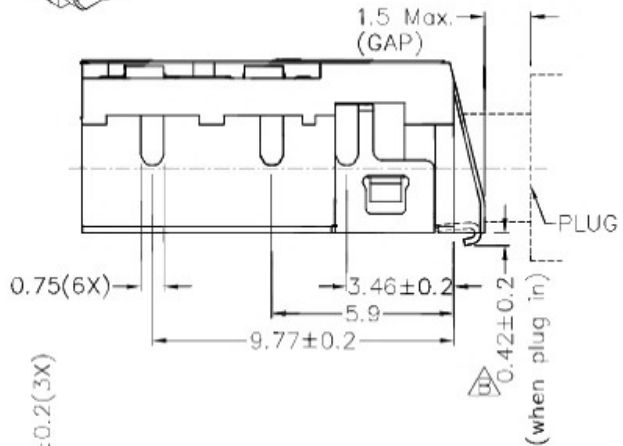


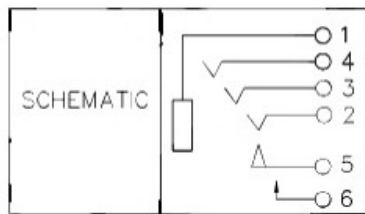
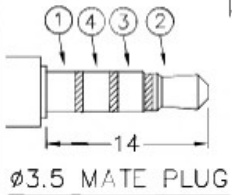
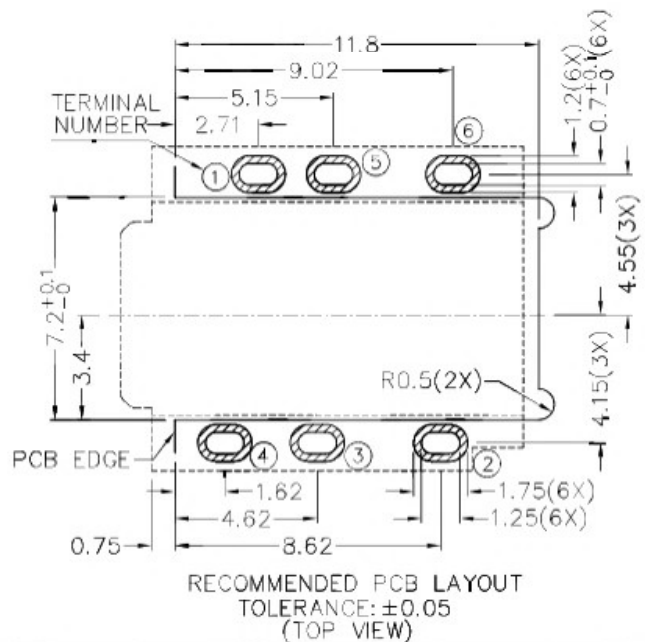
RoHS  
Compliant

ZONE	SYMBOL	REVISION	APPROVAL	DATE
	△	E2	J.X.KUANG	1-2-2018
		MODIFY TOLERANCE		



\* MATERIAL

- TERMINAL 1 : COPPER ALLOY
- TERMINAL 2 : COPPER ALLOY
- TERMINAL 3 : COPPER ALLOY
- TERMINAL 4 : COPPER ALLOY
- TERMINAL 5 : COPPER ALLOY
- TERMINAL 6 : COPPER ALLOY
- HOUSING : HIGH TEMP. PLASTIC
- INSULATOR : HIGH TEMP. PLASTIC
- MYLAR : POLYIMIDE



**广东科斯达开关厂**

DESIGN	H.L.TAN	DATE	23-2-2017	SCALE	4:1
DRAWING	H.Q.ZHOU	DATE	1-2-2018	MATERIAL	*
CHECK	T.Y.LI	DATE	1-2-2018	DWG. NO.	TZ\SH6150TI-A/1.2
APPROVAL		DATE		SHEET	

PART NAME	3.5mm SMD STEREO JACK	TOLERANCE UNLESS	0.0±0.2	UNIT:	mm
PART NO.		OTHERWISE SPECIFIED:	0.00±0.1 0.000±0.05		