

F

E

D

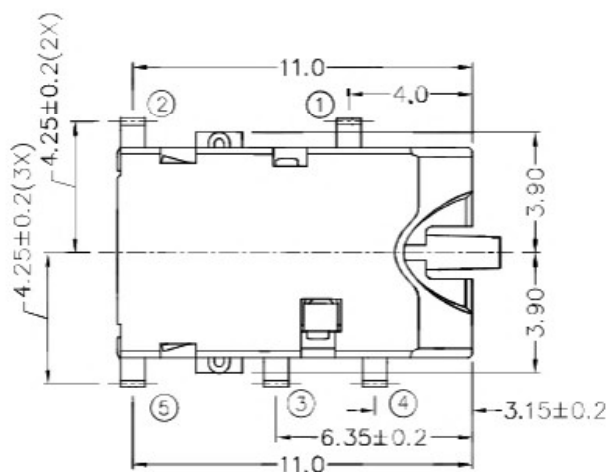
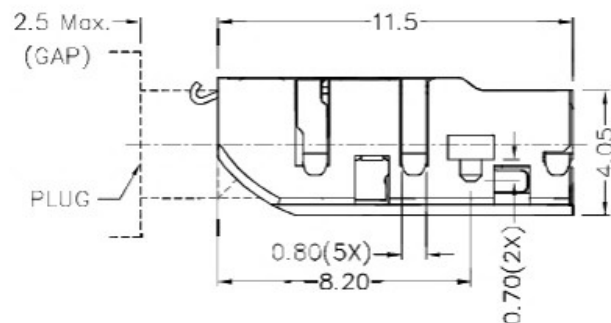
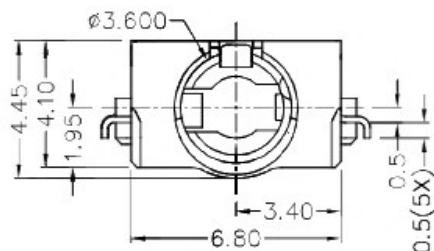
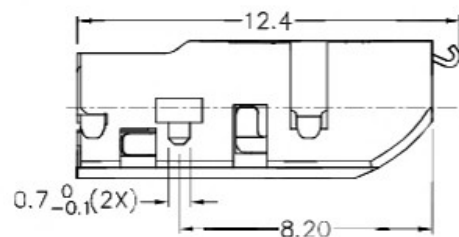
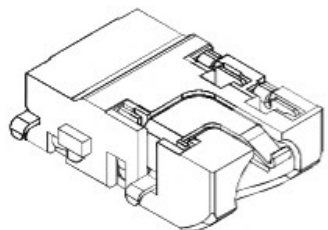
C

B

A

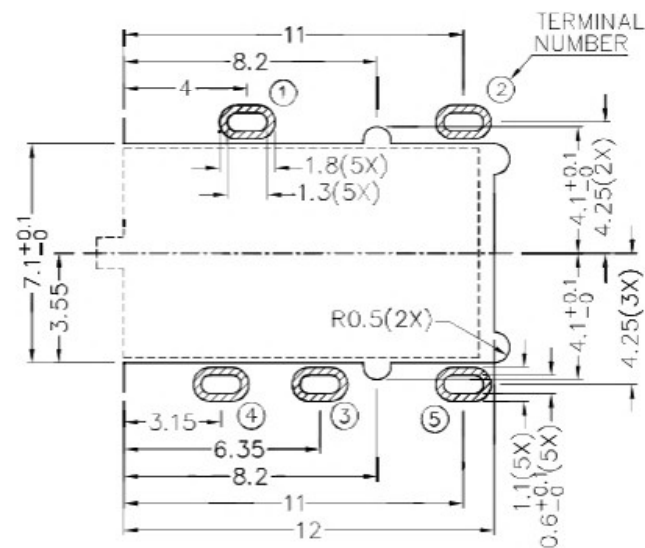
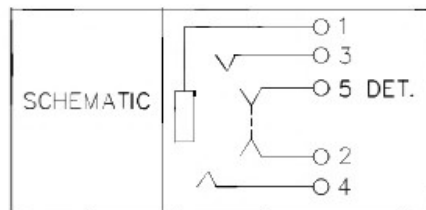
RoHS
Compliant

ZONE	SYMBOL	REVISION	APPROVAL	DATE

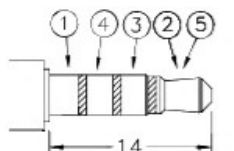


* MATERIAL

TERMINAL 1 : COPPER ALLOY
 TERMINAL 2 : COPPER ALLOY
 TERMINAL 3 : COPPER ALLOY
 TERMINAL 4 : COPPER ALLOY
 TERMINAL 5 : COPPER ALLOY
 HOUSING : HIGH TEMP. PLASTIC



RECOMMENDED PCB LAYOUT
 TOLERANCE: ±0.05
 (TOP VIEW)



φ3.5 MATE PLUG

广东科斯达开关厂

DESIGN	H.L.TAN	DATE	13-4-2015	SCALE	4:1
DRAWING	J.CH.OU	DATE	21-2-2017	MATERIAL	*
CHECK	T.Y.LI	DATE	21-2-2017	DWG. NO.	TZ\SH601D-A/1.0
APPROVAL		DATE		SHEET	

PART NAME	3.5mm SMD STEREO JACK	TOLERANCE UNLESS	0.0±0.2	UNIT:	mm
PART NO.		OTHERWISE SPECIFIED:	0.00±0.1 0.000±0.05		

F

E

D

C

B

A