

F

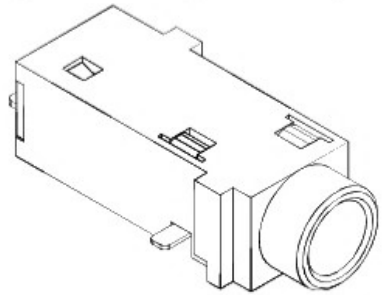
E

D

C

B

A

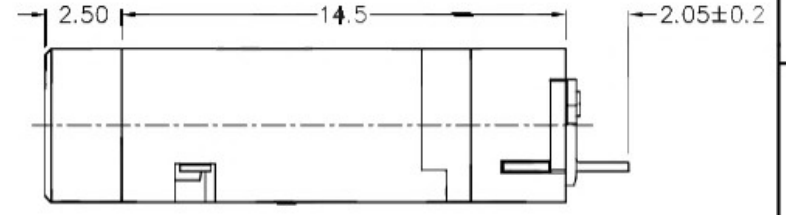
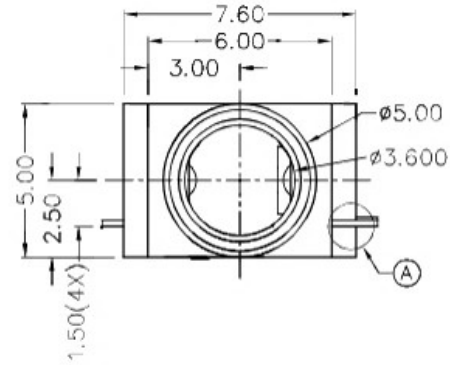
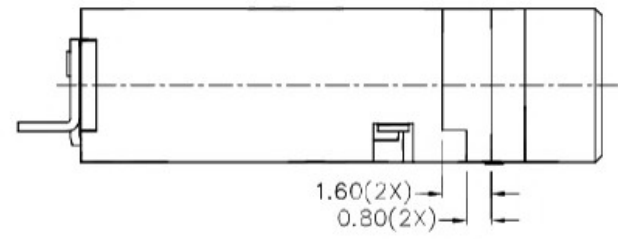


**RoHS**  
Compliant

ZONE	SYMBOL	REVISION	APPROVAL	DATE

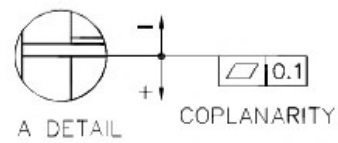
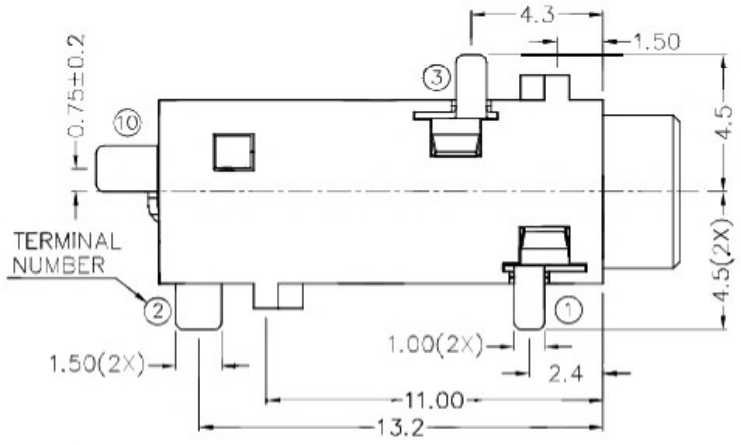
1

1



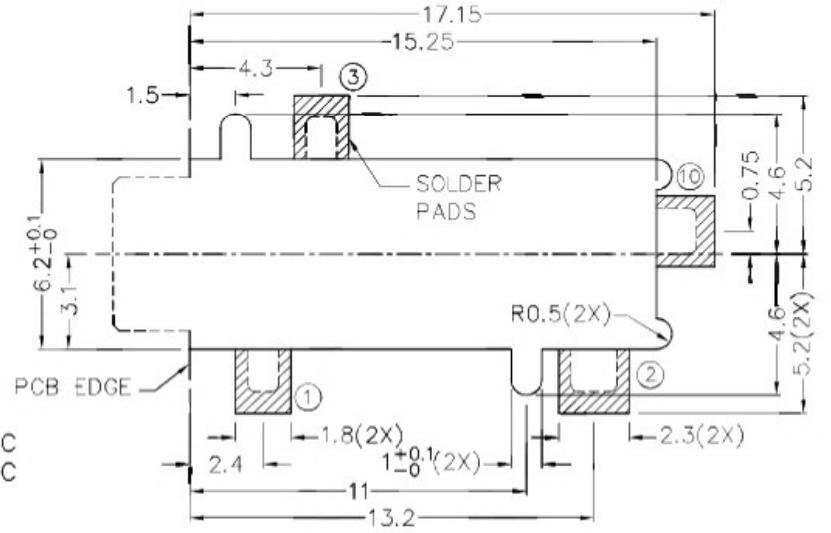
2

2



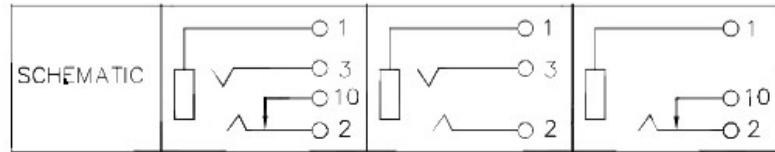
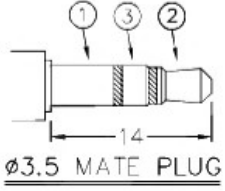
**\* MATERIAL**

- TERMINAL 1 : COPPER ALLOY
- TERMINAL 2 : COPPER ALLOY
- TERMINAL 3 : COPPER ALLOY
- TERMINAL 10: BRASS
- HOUSING : HIGH TEMP. PLASTIC
- COVER : HIGH TEMP. PLASTIC



3

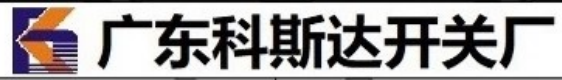
3



RECOMMENDED PCB LAYOUT  
TOLERANCE: ±0.05  
(TOP VIEW)

4

4



DESIGN	J.X.KUANG	DATE	7-10-2003	SCALE	4:1
DRAWING	T.Y.LI	DATE	28-12-2016	MATERIAL	*
CHECK	H.L.TAN	DATE	28-12-2016	DWG. NO.	TZ\SH380D-A/1.0
APPROVAL		DATE		SHEET	

PART NAME	3.5mm SMD STEREO JACK	TOLERANCE UNLESS	0.0±0.2	UNIT:	mm
PART NO.		OTHERWISE SPECIFIED:	0.00±0.1 0.000±0.05		

F

E

D

C

B

A