

F

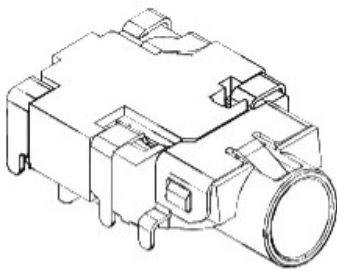
E

D

C

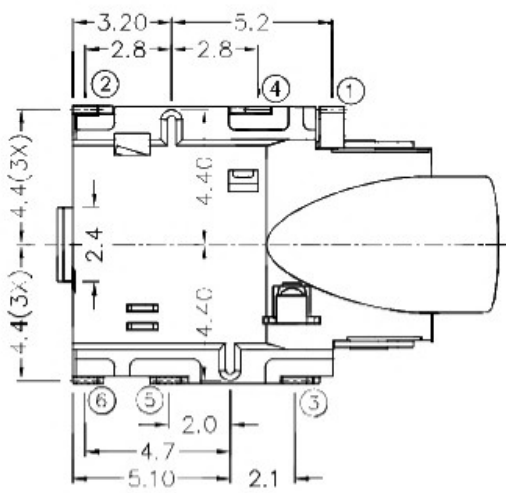
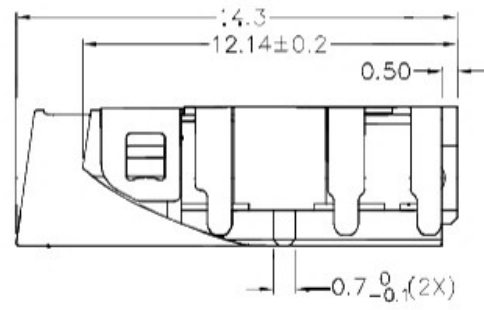
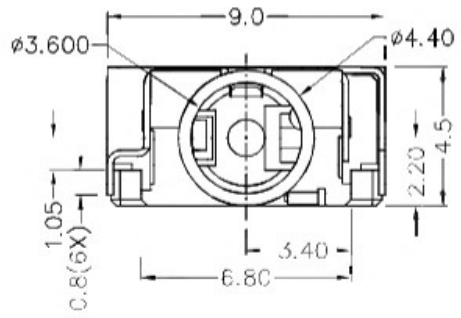
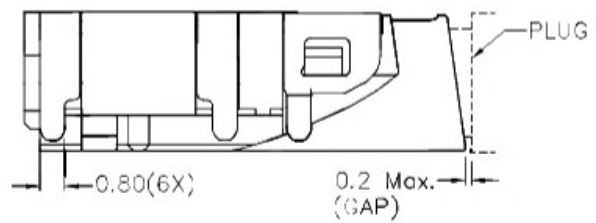
B

A



RoHS
Compliant

ZCNF	SYMBOL	REVISION	APPROVAL	DATE



* MATERIAL

TERMINAL 1 : COPPER ALLOY

TERMINAL 2 : COPPER ALLOY

TERMINAL 3 : COPPER ALLOY

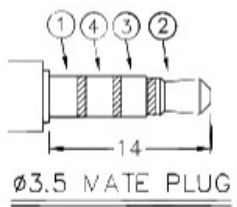
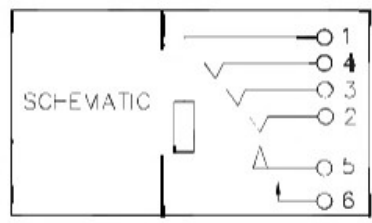
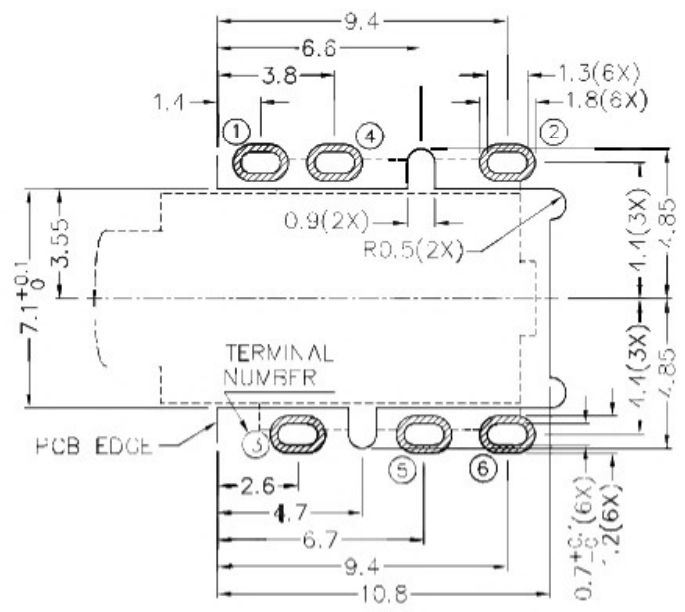
TERMINAL 4 : COPPER ALLOY

TERMINAL 5 : COPPER ALLOY

TERMINAL 6 : COPPER ALLOY

HOUSING : HIGH TEMP. PLAST C

INSULATOR : HIGH TEMP. PLAST C



RECOMMENDED PCB LAYOUT
TOLERANCE: ±0.05
(TOP VIEW)

广东科斯达开关厂

PART NAME	3.5mm SMD STEREO JACK	TOLERANCE UNLESS OTHERWISE SPECIFIED: 0.0±0.2 0.00±0.1 0.000±0.05	UNIT: mm	DESIGN	T.Y.H	DATE	9-4-2013	SCALE	4:1
				DRAWING	H.Q.ZHOU	DATE	9-2-2017	MATERIAL	*
PART NO.				CHECK	H.L.TAN	DATE	9-2-2017	DWG. NO.	TZ\SH571D-A/1.0
				APPROVAL		DATE		SHEET	

F

E

D

C

B

A