

F

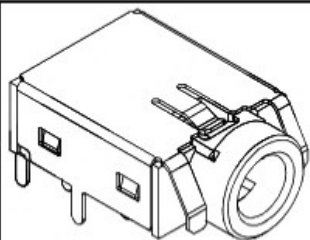
E

D

C

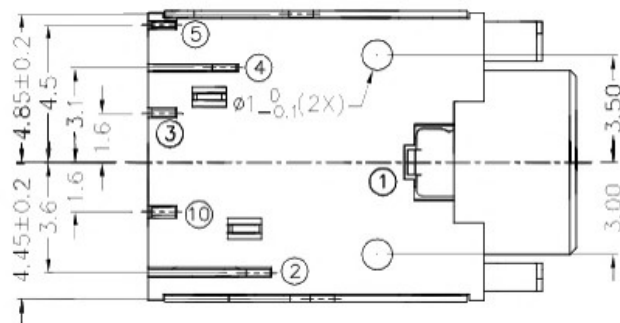
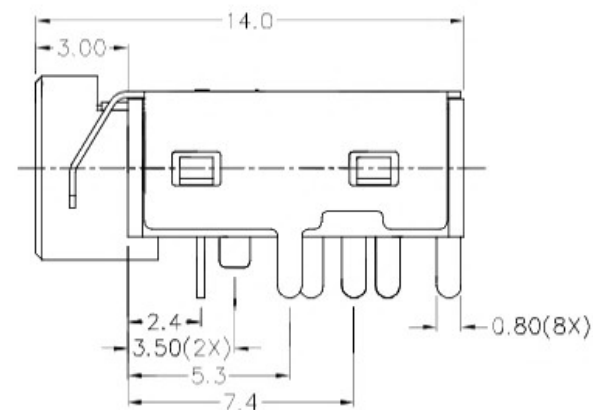
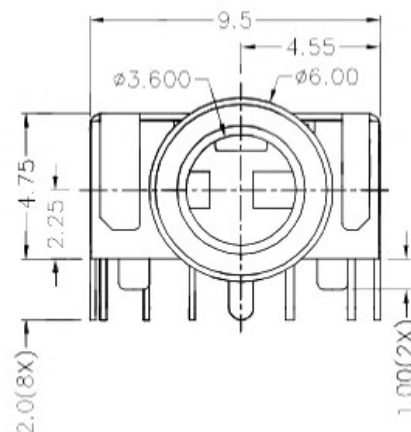
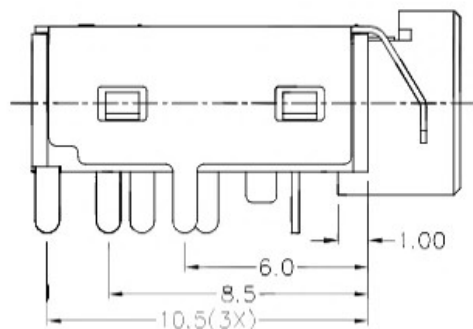
B

A



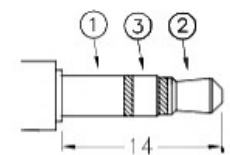
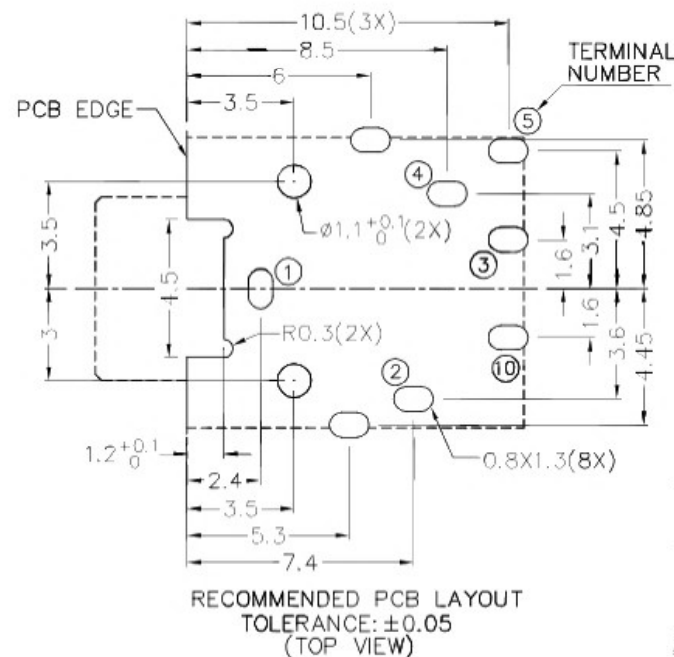
RoHS
Compliant

ZONE	SYMBOL	REVISION	APPROVAL	DATE
		UPDATE DIMENSIONS	J.X.KUANG	24-7-2020

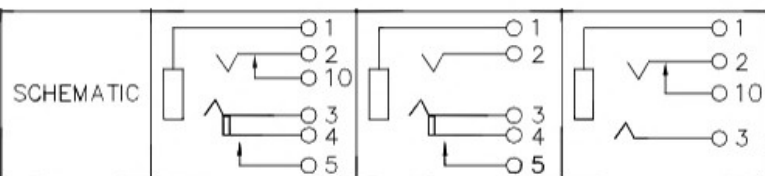


* MATERIAL

TERMINAL 1 : COPPER ALLOY
 TERMINAL 2 : COPPER ALLOY
 TERMINAL 3 : COPPER ALLOY
 TERMINAL 4 : COPPER ALLOY
 TERMINAL 5 : COPPER ALLOY
 TERMINAL 10 : BRASS
 SHIELD : COPPER ALLOY
 HOUSING : THERMOPLASTIC



RECOMMENDED
 $\phi 3.5$ MATING PLUG



RECOMMENDED PCB LAYOUT
 TOLERANCE: ± 0.05
 (TOP VIEW)

广东科斯达开关厂

PART NAME	3.5mm STEREO JACK	TOLERANCE UNLESS	0.0±0.2	UNIT:	mm
PART NO.		OTHERWISE SPECIFIED:	0.00±0.1 0.000±0.05		

DESIGN	G.P.YI	DATE	23-10-2006	SCALE	4:1
DRAWING	J.H.ZHOU	DATE	24-7-2020	MATERIAL	*
CHECK	T.Y.LI	DATE	24-7-2020	DWG. NO.	TZ\SH396S-B/1.1
APPROVAL		DATE		SHEET	1/1

F

E

D

C

B

A