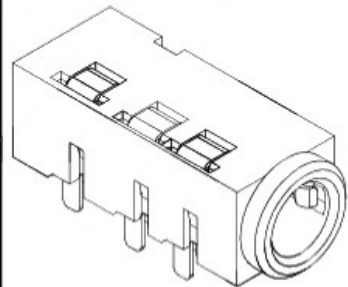


F E D C B A

ZONE	SYMBOL	REVISION	APPROVAL	DATE

RoHS
Compliant

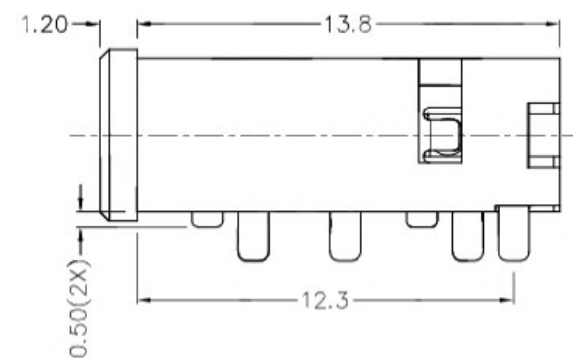
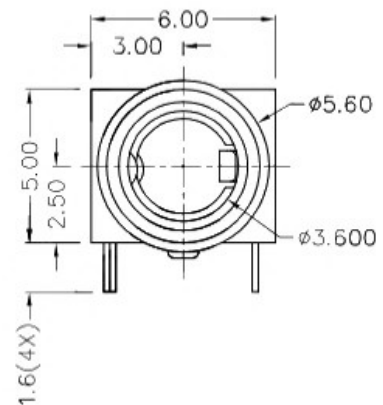
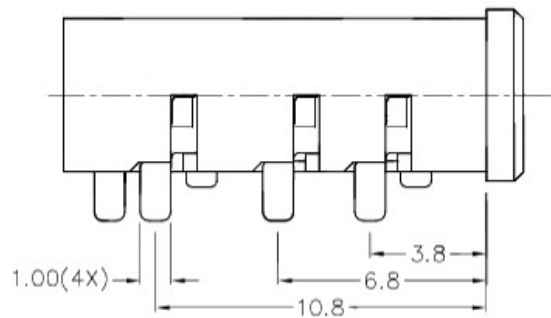


1

1

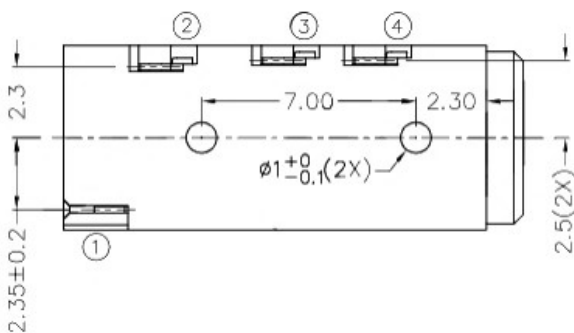
2

2

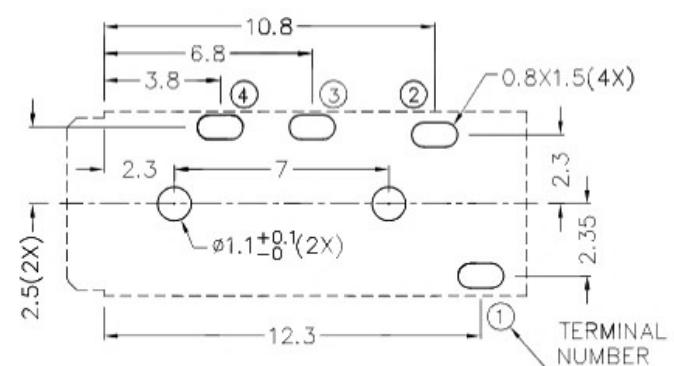


3

3



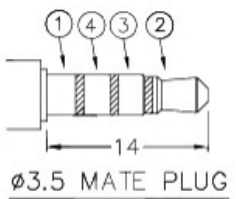
*** MATERIAL**
 TERMINAL 1 : COPPER ALLOY
 TERMINAL 2 : COPPER ALLOY
 TERMINAL 3 : COPPER ALLOY
 TERMINAL 4 : COPPER ALLOY
 HOUSING : THERMOPLASTIC



RECOMMENDED PCB LAYOUT
 TOLERANCE: ± 0.05
 (TOP VIEW)

4

4



MODEL NO.	TSH-3744	TSH-3743
SCHEMATIC		

广东科斯达开关厂

DESIGN	J.X.KUANG	DATE	7-10-2003	SCALE	4:1
DRAWING	H.Q.ZHOU	DATE	27-12-2016	MATERIAL	*
CHECK	T.Y.LI	DATE	27-12-2016	DWG. NO.	TZ\SH374-B/1.0
APPROVAL		DATE		SHEET	

PART NAME	3.5mm STEREO JACK	TOLERANCE UNLESS	0.0 \pm 0.2	UNIT:	mm
PART NO.		OTHERWISE SPECIFIED:	0.00 \pm 0.1 0.000 \pm 0.05		

F E D C B A