

F

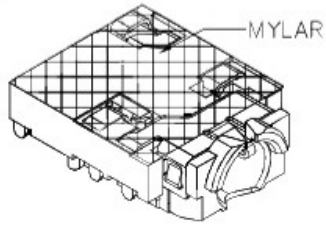
E

D

C

B

A

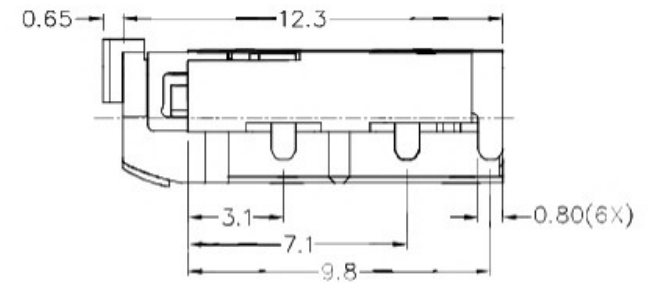
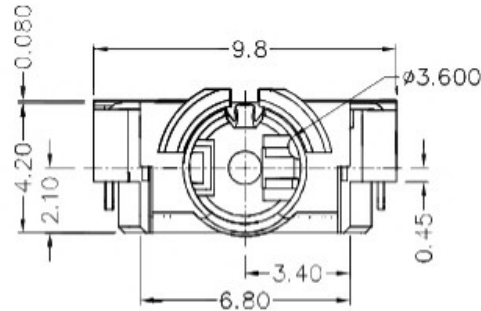
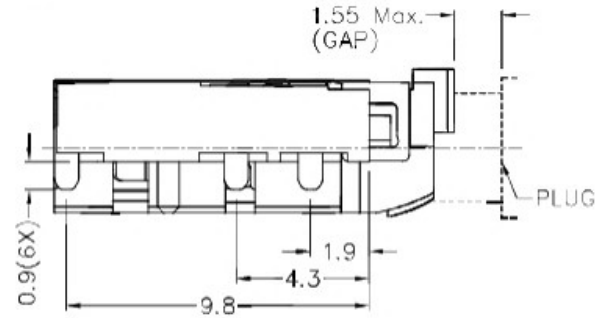


RoHS
Compliant

ZONE	SYMBOL	REVISION	APPROVAL	DATE

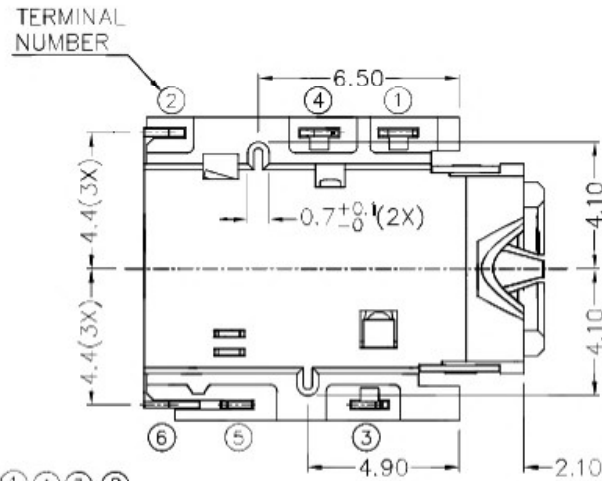
1

1



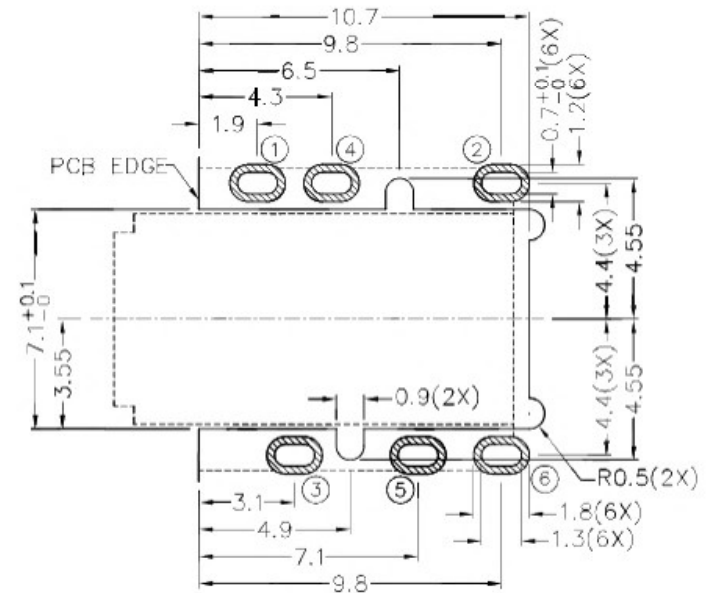
2

2



* MATERIAL

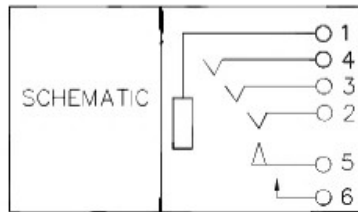
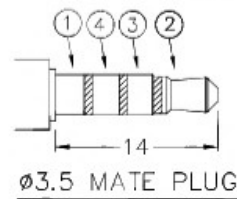
- TERMINAL 1 : COPPER ALLOY
- TERMINAL 2 : COPPER ALLOY
- TERMINAL 3 : COPPER ALLOY
- TERMINAL 4 : COPPER ALLOY
- TERMINAL 5 : COPPER ALLOY
- TERMINAL 6 : COPPER ALLOY
- HOUSING : HIGH TEMP. PLASTIC
- INSULATOR : HIGH TEMP. PLASTIC
- MYLAR : POLYIMIDE



RECOMMENDED PCB LAYOUT
TOLERANCE: ± 0.05
(TOP VIEW)

3

3



4

4

广东科斯达开关厂

DESIGN	H.L.TAN	DATE	29-9-2016	SCALE	4:1
DRAWING	Y.J.GUO	DATE	12-12-2016	MATERIAL	*
CHECK	T.Y.LI	DATE	12-12-2016	DWG. NO.	TZ\SH610D11-A/1.0
APPROVAL		DATE		SHEET	

PART NAME	3.5mm SMD STEREO JACK	TOLERANCE UNLESS	0.0 \pm 0.2	UNIT:	mm
PART NO.		OTHERWISE SPECIFIED:	0.00 \pm 0.1 0.000 \pm 0.05		

F

E

D

C

B

A