

F

E

D

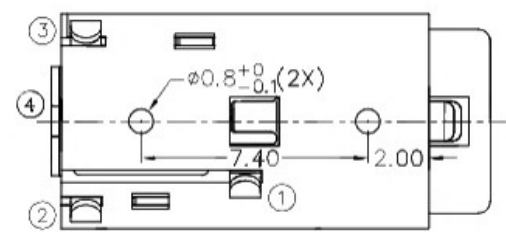
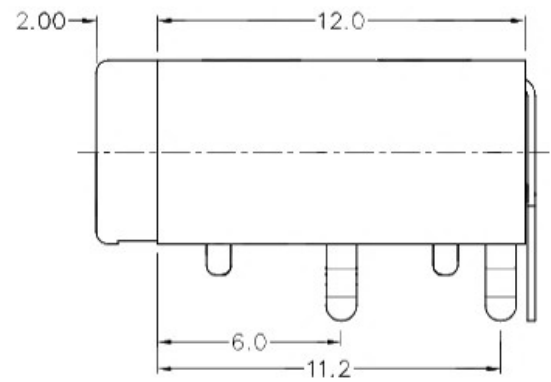
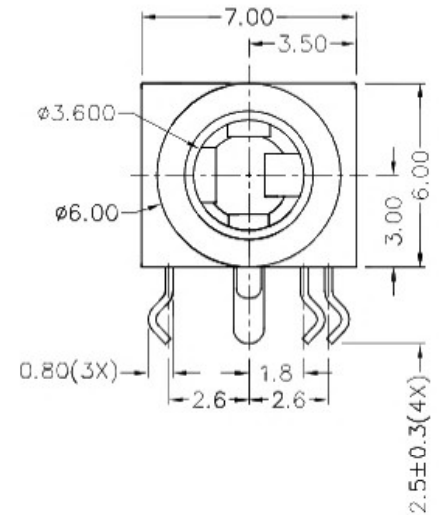
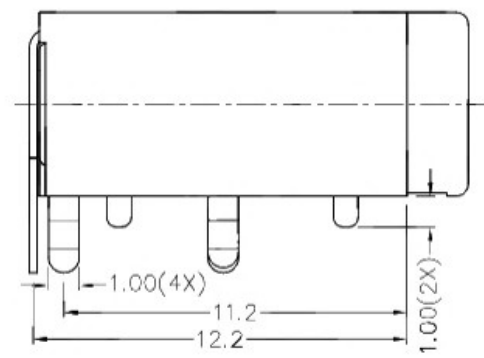
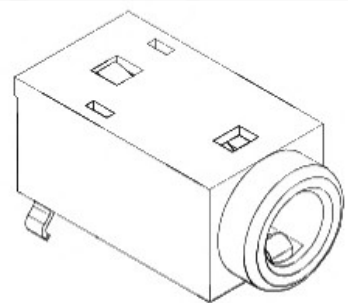
C

B

A

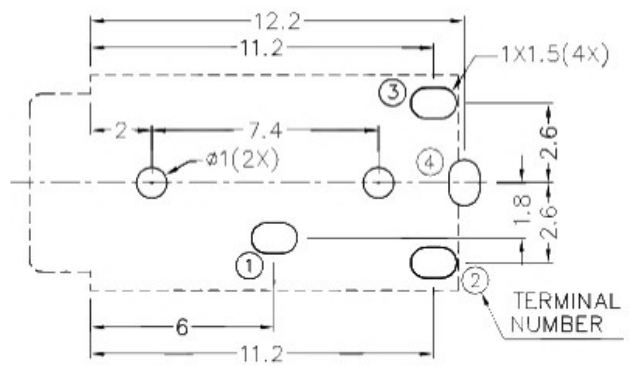
ZONE	SYMBOL	REVISION	APPROVAL	DATE

**RoHS**  
Compliant

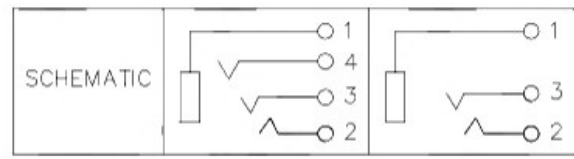
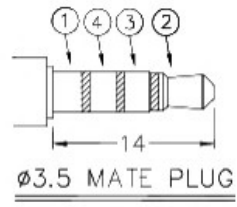


**\* MATERIAL**

- TERMINAL 1 : COPPER ALLOY
- TERMINAL 2 : COPPER ALLOY
- TERMINAL 3 : COPPER ALLOY
- TERMINAL 4 : COPPER ALLOY
- HOUSING : THERMOPLASTIC



RECOMMENDED PCB LAYOUT  
TOLERANCE: ±0.05  
(TOP VIEW)



1

1

2

2

3

3

4

4



DESIGN	J.X.KUANG	DATE	7-10-2003	SCALE	4:1
DRAWING	T.Y.LI	DATE	16-12-2016	MATERIAL	*
CHECK	H.L.TAN	DATE	16-12-2016	DWG. NO.	TZ\SH372-B/1.0
APPROVAL		DATE		SHEET	

PART NAME	3.5mm STEREO JACK	TOLERANCE UNLESS	0.0±0.2	UNIT:	mm
PART NO.		OTHERWISE SPECIFIED:	0.00±0.1 0.000±0.05		

F

E

D

C

B

A