

F

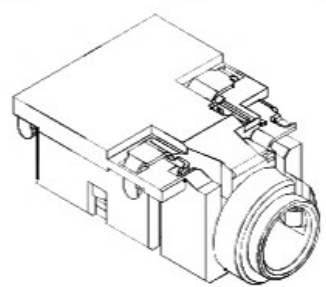
E

D

C

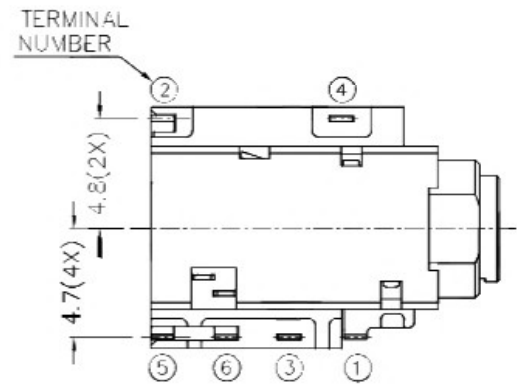
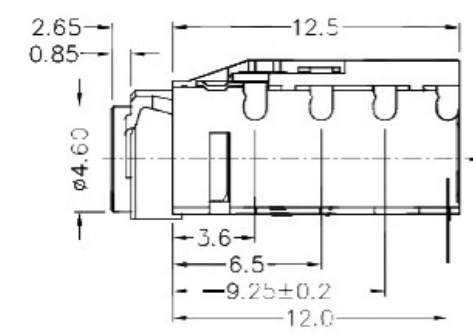
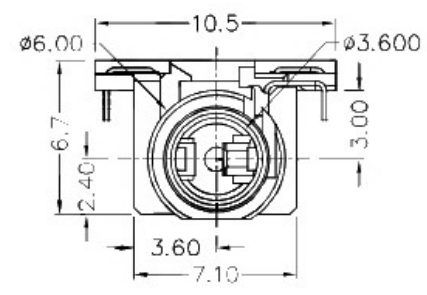
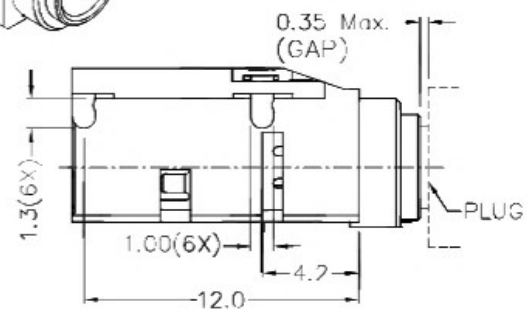
B

A

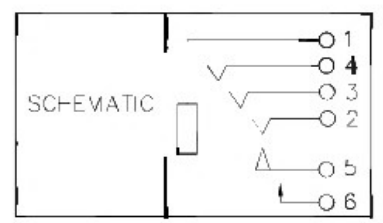
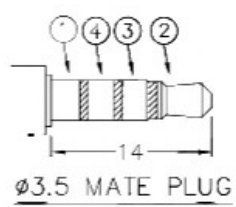
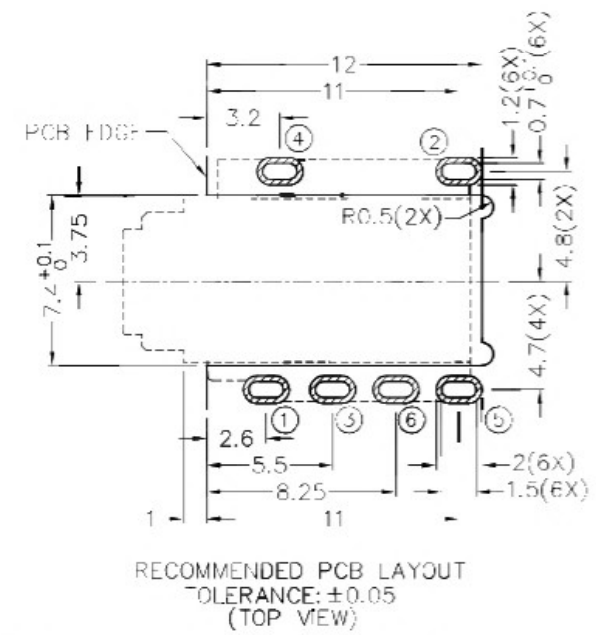


RoHS
Compliant

ZCNF	SYMBOL	REVISION	APPROVAL	DATE



*** MATERIAL**
 TERMINAL 1 : COPPER ALLOY
 TERMINAL 2 : COPPER ALLOY
 TERMINAL 3 : COPPER ALLOY
 TERMINAL 4 : COPPER ALLOY
 TERMINAL 5 : COPPER ALLOY
 TERMINAL 6 : COPPER ALLOY
 HOUSING : HIGH TEMP. PLAST C
 INSULATOR : HIGH TEMP. PLAST C



广东科斯达开关厂

PART NAME	3.5mm SMD STEREO JACK	TOLERANCE UNLESS OTHERWISE SPECIFIED: 0.0±0.2 0.00±0.1 0.000±0.05	UNIT: mm	DESIGN	H.L.TAN	DATE	9 12 2013	SCALE	3:1
				DRAWING	J.H.ZHOU	DATE	16-2-2017	MATERIAL	×
PART NO.				CHECK	W.Q.ZHOU	DATE	16-2-2017	DWG. NO.	TZ\SH588D-A/1.0
				APPROVAL		DATE		SHEET	

F

E

D

C

B

A