

F

E

D

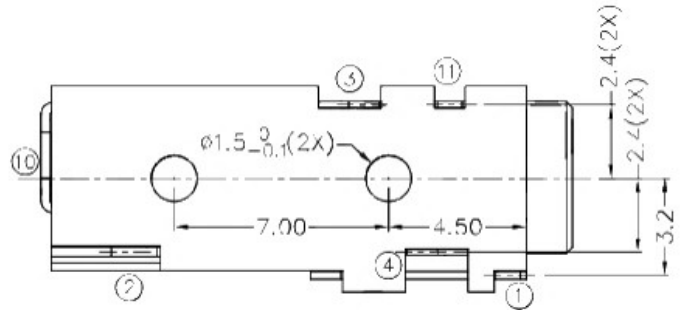
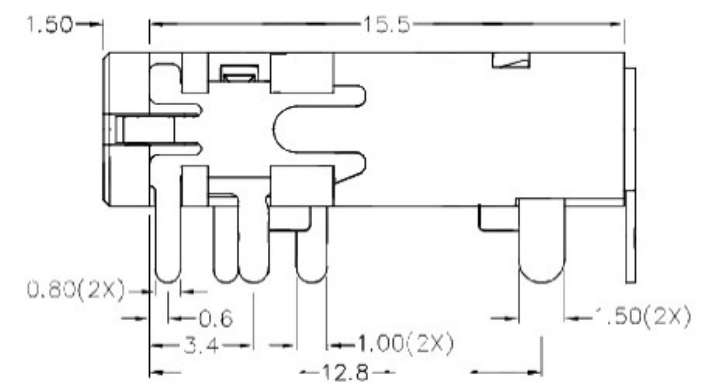
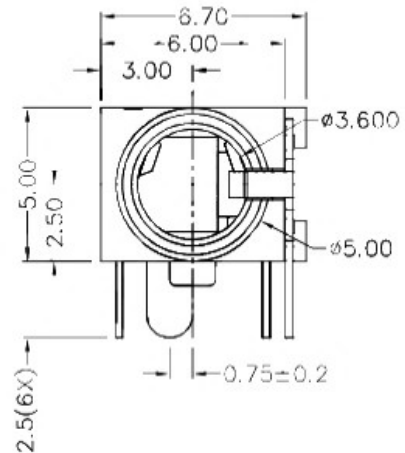
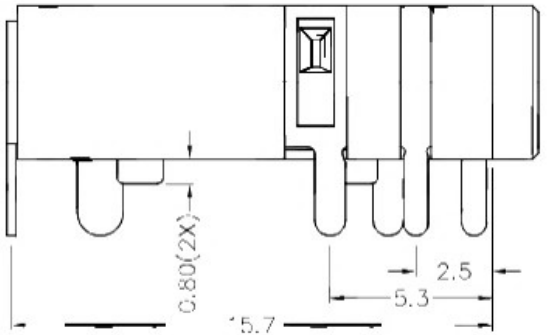
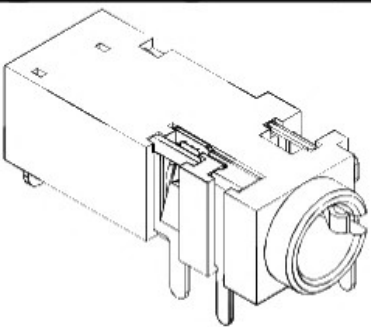
C

B

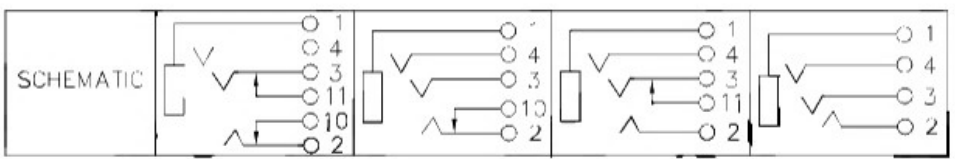
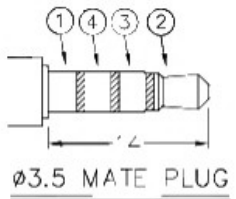
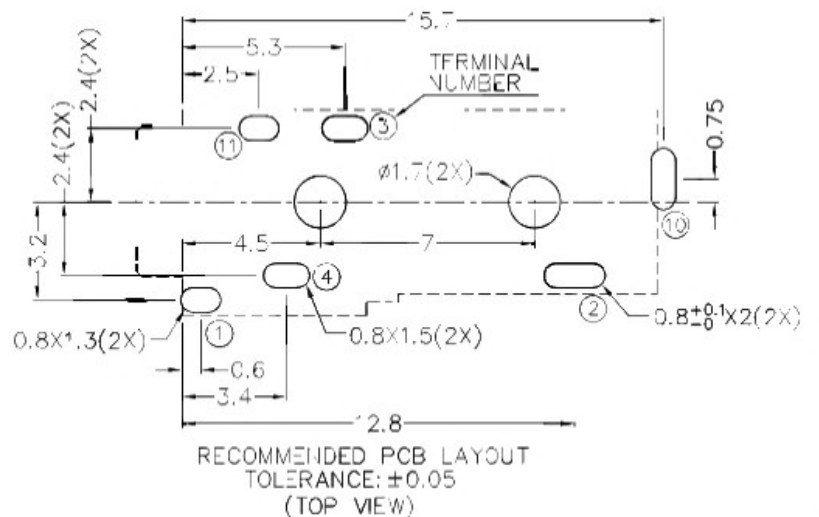
A

ZONE	SYMBOL	REVISION	A-PROVAL	DATE

**RoHS**  
Compliant



**\* MATERIAL**  
 TERMINAL 1 : COPPER ALLOY  
 TERMINAL 2 : COPPER ALLOY  
 TERMINAL 3 : COPPER ALLOY  
 TERMINAL 4 : COPPER ALLOY  
 TERMINAL 10 : BRASS  
 TERMINAL 11 : BRASS  
 HOUSING : THERMOPLASTIC



**广东科斯达开关厂**

DESIGN	J.X.KUANG	DATE	7-10-2003	SCALE	4:1
DRAWING	J.H.ZHOU	DATE	27-12-2006	MATERIAL	*
CHECK	T.Y.LI	DATE	27-12-2006	DWG. NO.	TZ\SH377-B/1.0
APPROVAL		DATE		SHEET	

PART NAME	3.5mm STEREO JACK	TOLERANCE UNLESS OTHERWISE SPECIFIED:	0.6±0.2 0.00±0.1 0.00±0.05	UNIT:	mm
PART NO.					

F

E

D

C

B

A