

F

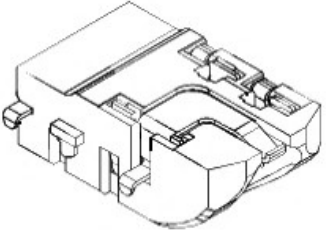
E

D

C

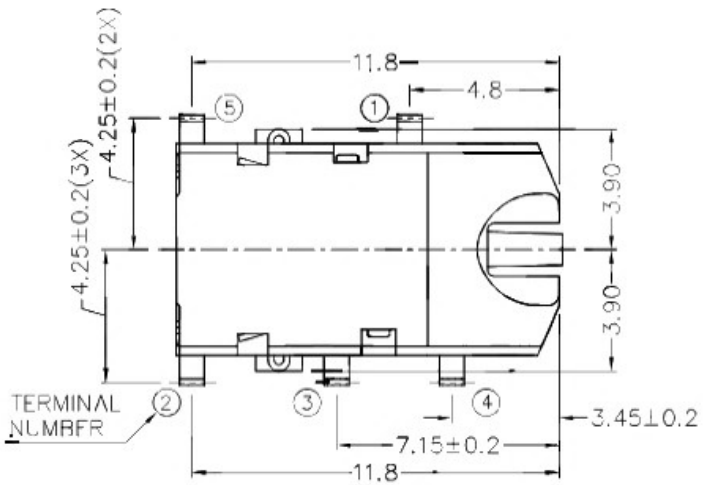
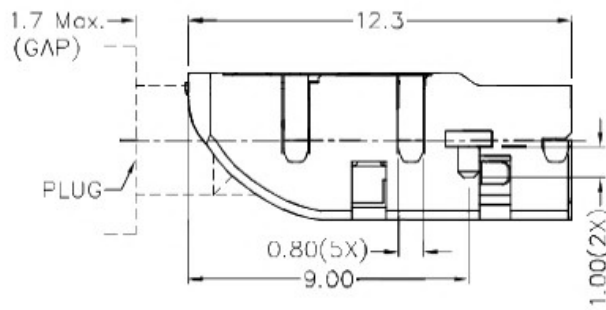
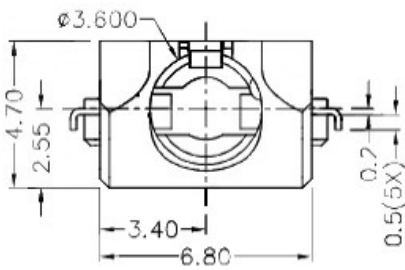
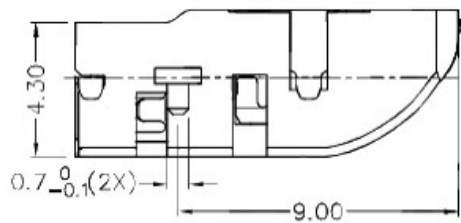
B

A

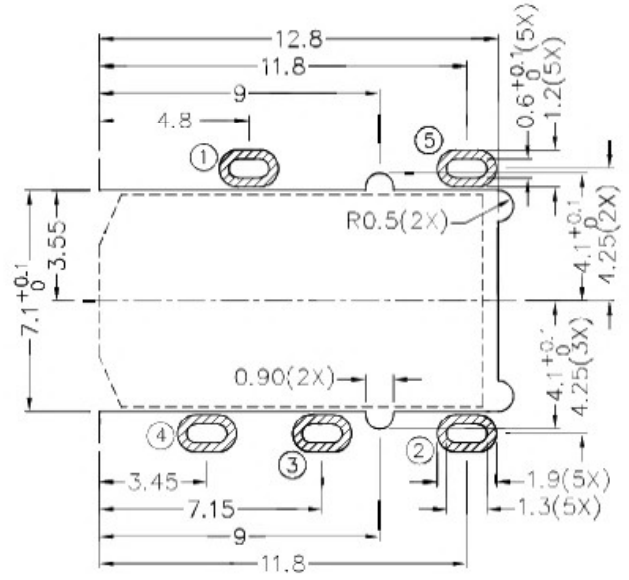
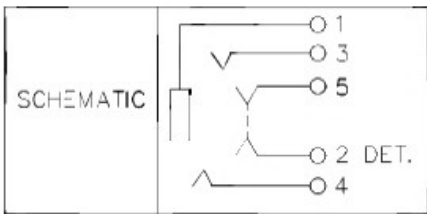


RoHS
Compliant

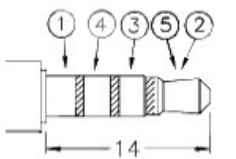
ZONE	SYMBOL	REVISION	APPROVAL	DATE



* MATERIAL
 TERMINAL 1 : COPPER ALLOY
 TERMINAL 2 : COPPER ALLOY
 TERMINAL 3 : COPPER ALLOY
 TERMINAL 4 : COPPER ALLOY
 TERMINAL 5 : COPPER ALLOY
 HOUSING : HIGH TEMP. PLASTIC



RECOMMENDED PCB LAYOUT
 TOLERANCE: ±0.05
 (TOP VIEW)



ø3.5 MATE PLUG

广东科斯达开关厂

DESIGN	J.H.ZHOU	DATE	10-9-2014	SCALE	4:1
DRAWING	Y.J.GUO	DATE	20-2-2017	MATERIAL	*
CHECK	T.Y.LI	DATE	20-2-2017	DWG. NO.	TZ\SH598D-A/1.0
APPROVAL		DATE		SHEET	

PART NAME	3.5mm SMD STEREO JACK	TOLERANCE UNLESS	0.0±0.2	UNIT:	mm
PART NO.		OTHERWISE SPECIFIED:	0.00±0.1 0.00±0.05		

F

E

D

C

B

A