

F

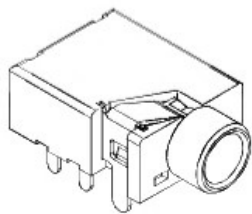
E

D

C

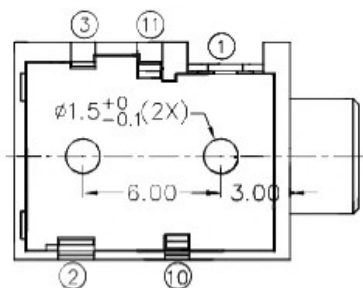
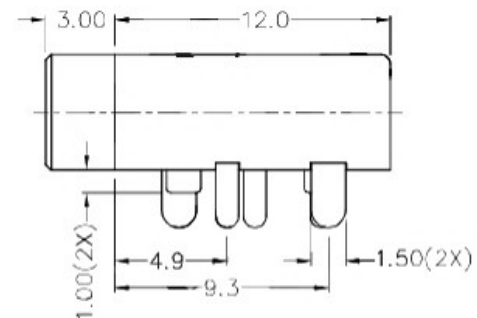
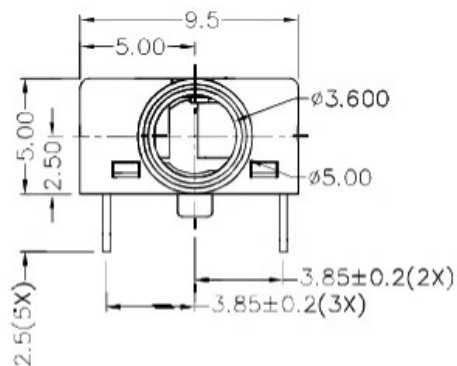
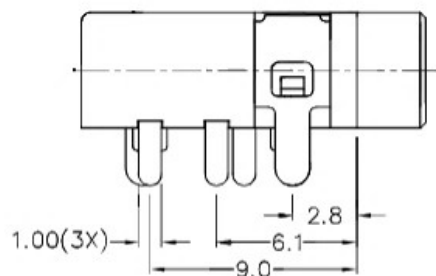
B

A



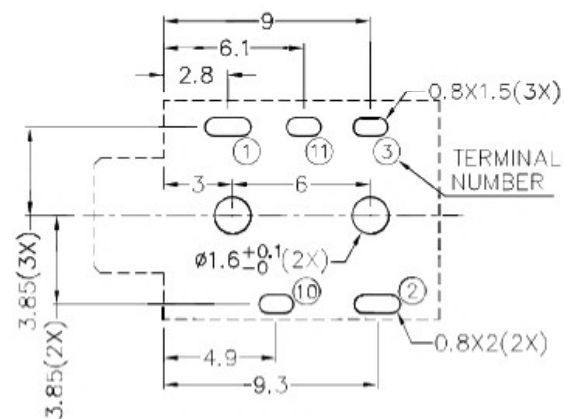
RoHS
Compliant

ZONE	SYMBOL	REVISION	APPROVAL	DATE

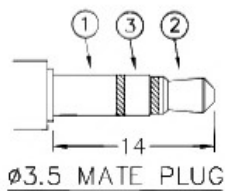


*MATERIAL

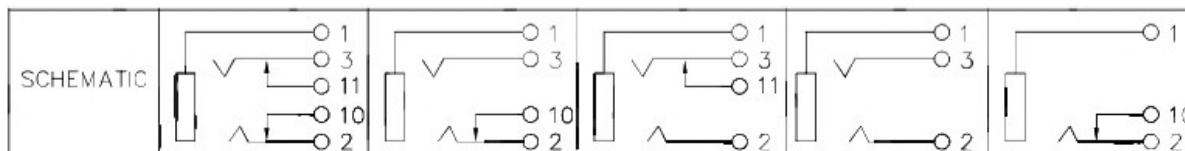
TERMINAL 1 : COPPER ALLOY
 TERMINAL 2 : COPPER ALLOY
 TERMINAL 3 : COPPER ALLOY
 TERMINAL 10 : BRASS
 TERMINAL 11 : BRASS
 HOUSING : THERMOPLASTIC
 COVER : THERMOPLASTIC



RECOMMENDED PCB LAYOUT
 TOLERANCE: ±0.05
 (TOP VIEW)



φ3.5 MATE PLUG



 广东科斯达开关厂

DESIGN	J.X.KUANG	DATE	7-10-2003	SCALE	3:1
DRAWING	T.Y.LI	DATE	16-12-2016	MATERIAL	*
CHECK	H.L.TAN	DATE	16-12-2016	DWG. NO.	TZ\SH367-B/1.0
APPROVAL		DATE		SHEET	

PART NAME	3.5mm STEREO JACK	TOLERANCE UNLESS	0.0±0.2	UNIT:	mm
PART NO.		OTHERWISE SPECIFIED:	0.00±0.1 0.000±0.05		

F

E

D

C

B

A