

F

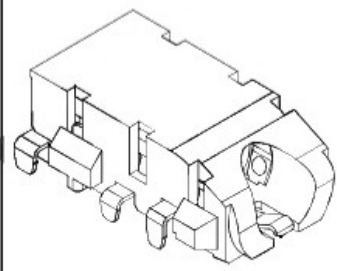
E

D

C

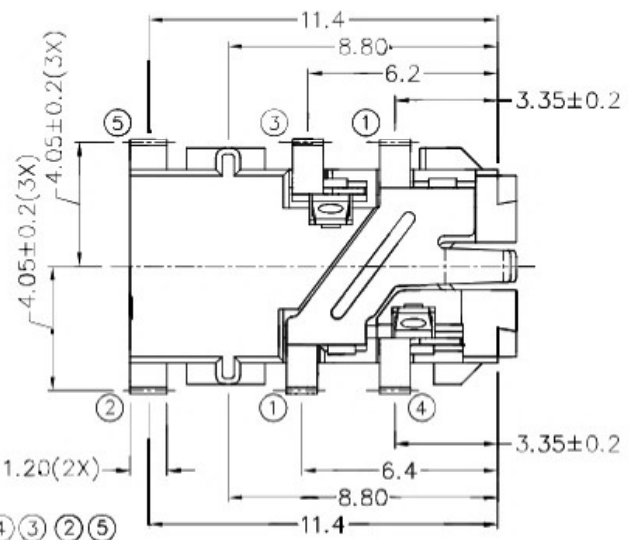
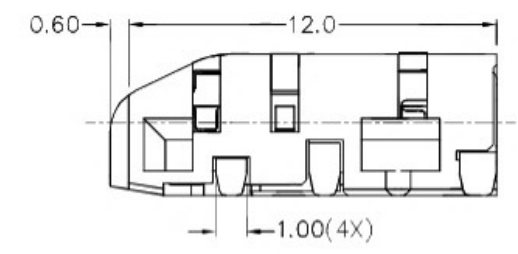
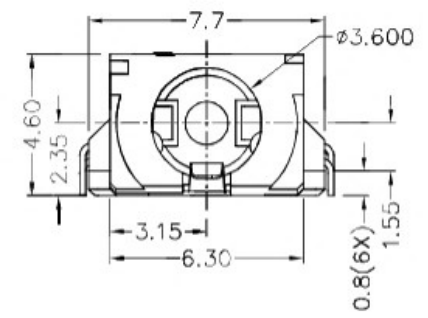
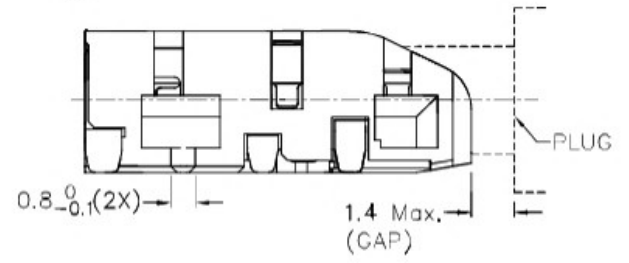
B

A



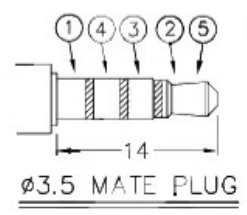
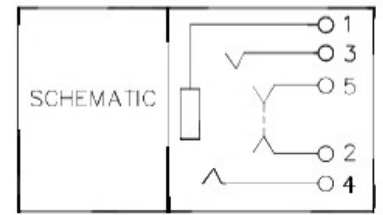
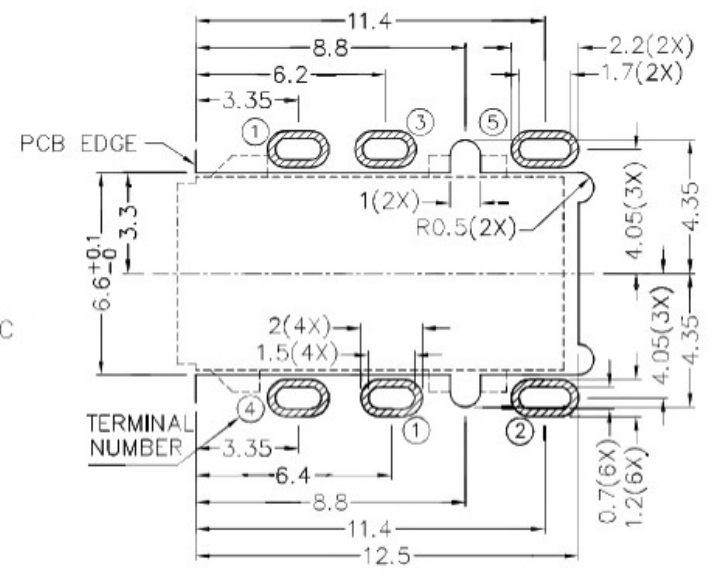
RoHS  
Compliant

ZONE	SYMBOL	REVISION	APPROVAL	DATE



\* MATERIAL

- TERMINAL 1 : COPPER ALLOY
- TERMINAL 2 : COPPER ALLOY
- TERMINAL 3 : COPPER ALLOY
- TERMINAL 4 : COPPER ALLOY
- TERMINAL 5 : COPPER ALLOY
- HOUSING : HIGH TEMP. PLASTIC



RECOMMENDED PCB LAYOUT  
TOLERANCE: ±0.05  
(TOP VIEW)

广东科斯达开关厂

PART NAME	3.5mm SMD STEREO JACK	TOLERANCE UNLESS 0.0±0.2 0.00±0.1 OTHERWISE SPECIFIED: 0.000±0.05	UNIT: mm	DESIGN	H.L.TAN	DATE	7-4-2012	SCALE	4:1
				DRAWING	J.CH.OU	DATE	18-1-2017	MATERIAL	*
PART NO.				CHECK	T.Y.LI	DATE	18-1-2017	DWG. NO.	TZ\SH545D-A/1.0
				APPROVAL		DATE		SHEET	

F

E

D

C

B

A