

F

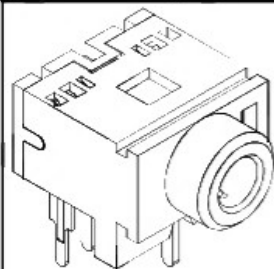
E

D

C

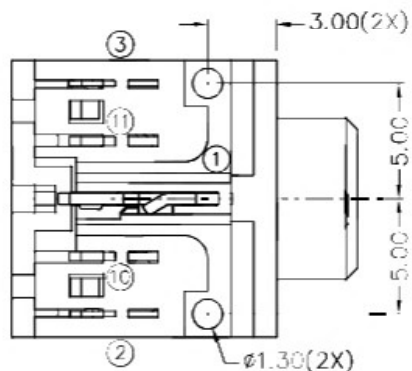
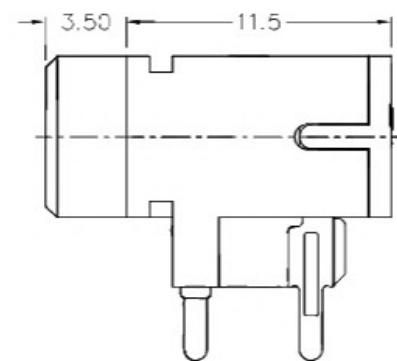
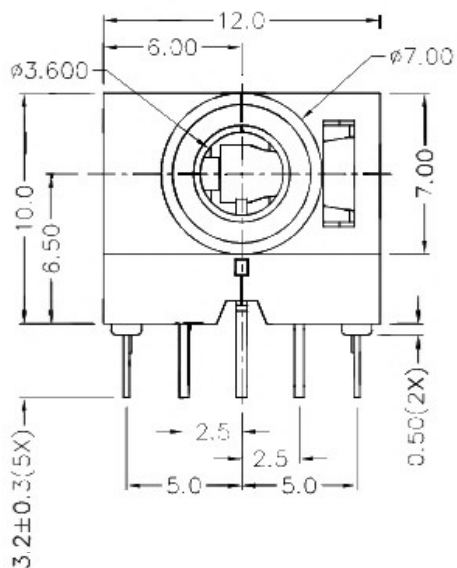
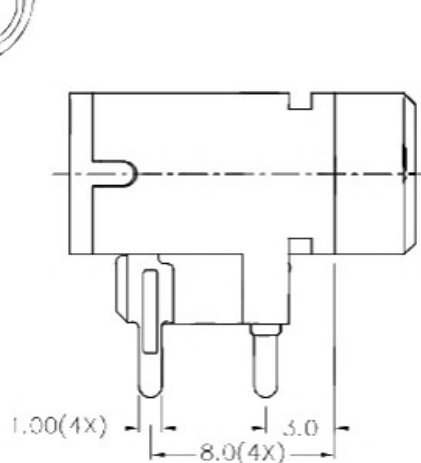
B

A



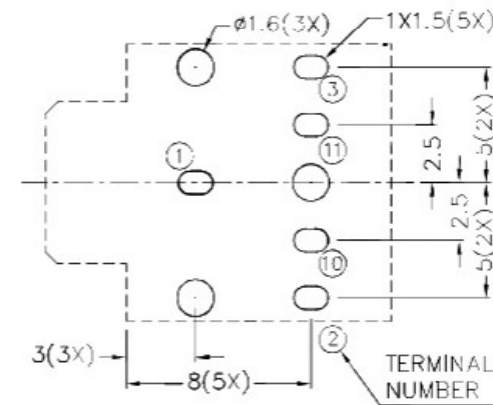
RoHS
Compliant

ZONE	SYMBOL	REVISION	APPROVAL	DATE

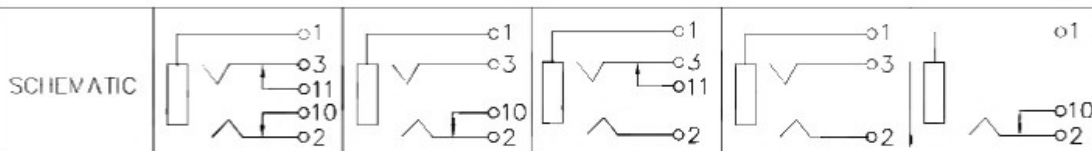
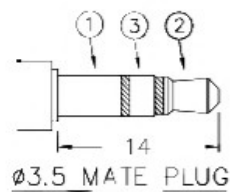


* MATERIAL

TERMINAL 1 : BRASS
 TERMINAL 2 : COPPER ALLOY
 TERMINAL 3 : COPPER ALLOY
 TERMINAL 10 : BRASS
 TERMINAL 11 : BRASS
 HOUSING : THERMOPLASTIC
 COVER : THERMOPLASTIC



RECOMMENDED PCB LAYOUT
 TOLERANCE: ±0.05
 (TOP VIEW)



广东科斯达开关厂

DESIGN	J.X.KUANG	DATE	6-10-2005	SCALE	3:1
DRAWING	H.Q.ZHOU	DATE	20-12-2016	MATERIAL	*
CHECK	T.Y.LI	DATE	20-12-2016	DWG. NO.	TZ\SH356-2-B/1.0
APPROVAL		DATE		SHEET	

PART NAME	3.5mm STFRFO JACK	TOLERANCE UNLESS OTHERWISE SPECIFIED:	0.0±0.2 0.00±0.1 0.000±0.05	UNIT:	mm
PART NO.					

F

E

D

C

B

A