

F

E

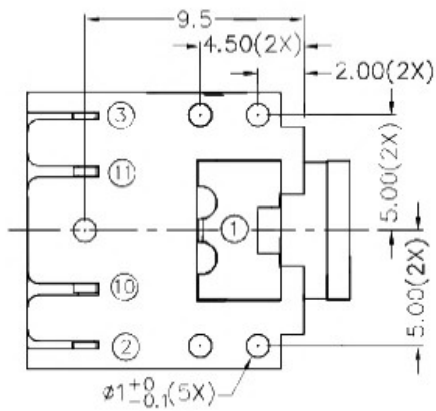
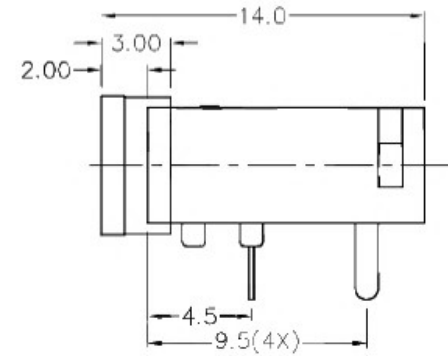
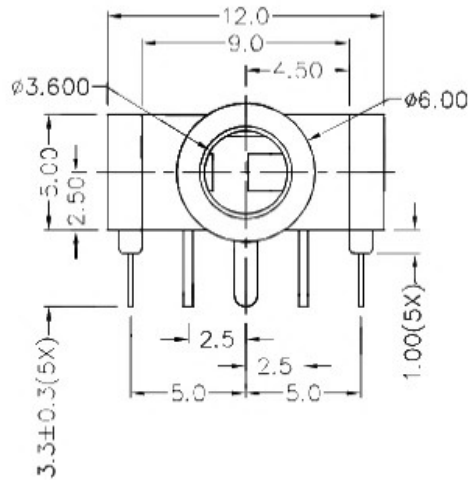
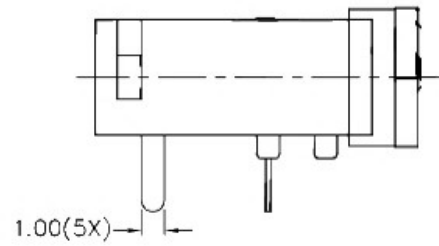
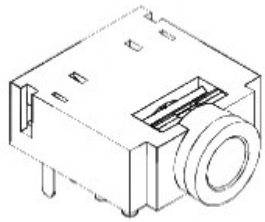
D

C

B

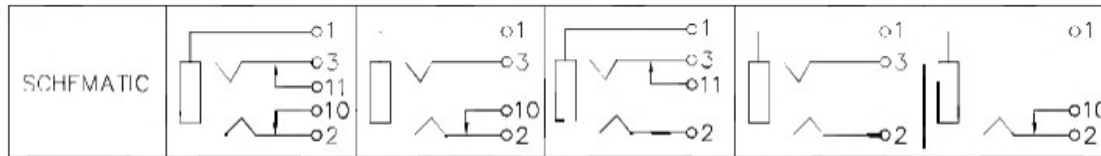
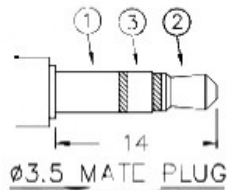
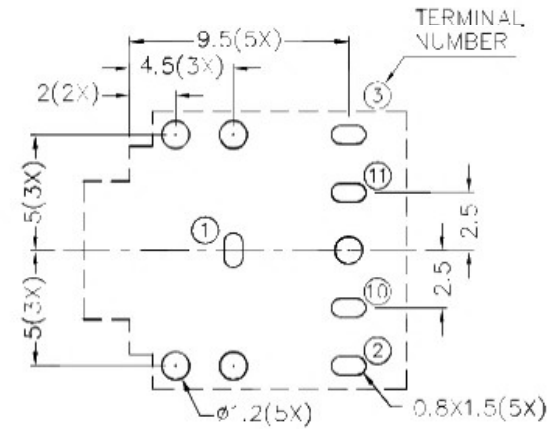
A

ZONE	SYMBOL	REVISION	APPROVAL	DATE



*MATERIAL

TERMINAL 1 : COPPER ALLOY
 TERMINAL 2 : COPPER ALLOY
 TERMINAL 3 : COPPER ALLOY
 TERMINAL 10 : BRASS
 TERMINAL 11 : BRASS
 BUSHING : BRASS
 HOUSING : THERMOPLASTIC



RECOMMENDED PCB LAYOUT
 TOLERANCE: ±0.05
 (TOP VIEW)

 广东科斯达开关厂

DESIGN	J.M.KWAN	DATE	6-10-2003	SCALE	3:1
DRAWING	CH.XIONG	DATE	18-11-2016	MATERIAL	*
CHECK	T.Y.LI	DATE	18-11-2016	DWG. NO.	77\SH-351-B/1.0
APPROVAL		DATE		SHEET	

PART NAME	3.5mm STEREO JACK	TOLERANCE UNLESS	0.0±0.2	UNIT:	
PART NO.		OTHERWISE SPECIFIED:	0.00±0.1 0.000±0.05	mm	

F

E

D

C

B

A