

F

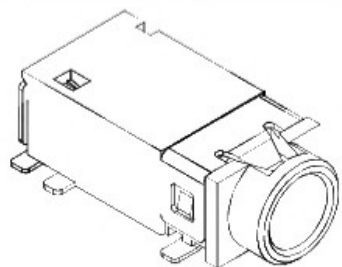
E

D

C

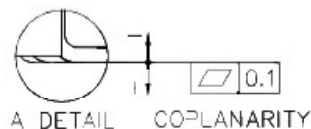
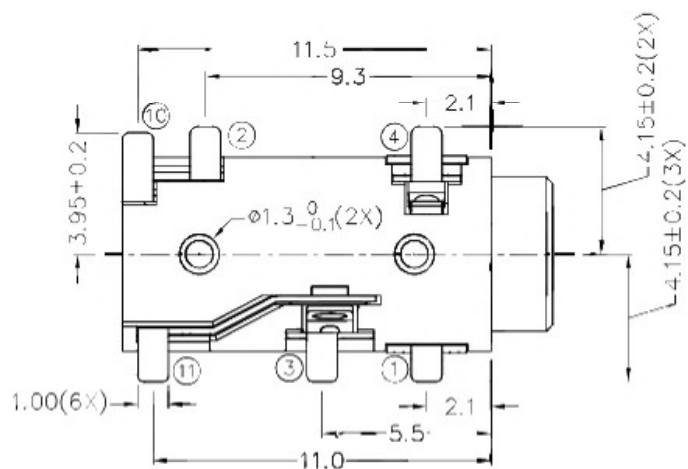
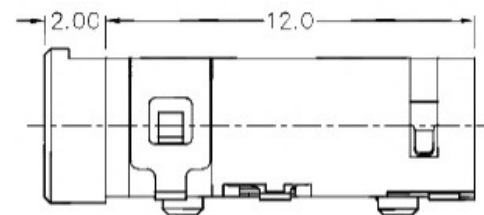
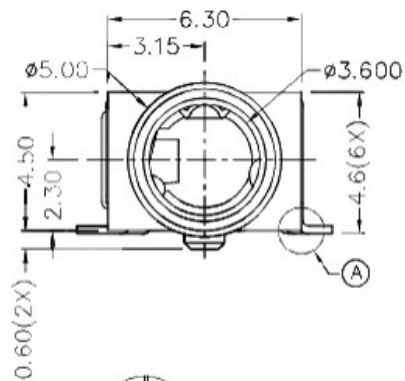
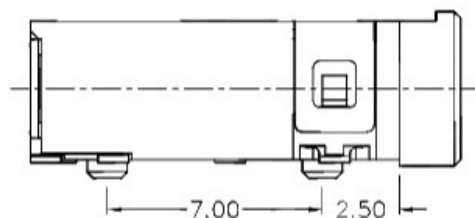
B

A



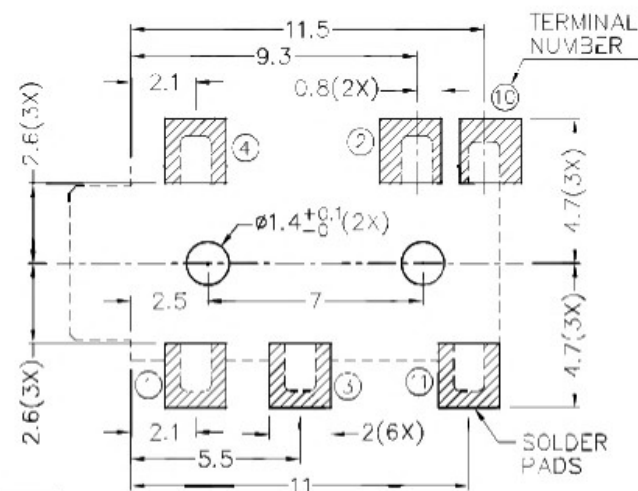
RoHS
Compliant

ZONE	SYMBOL	REVISION	APPROVAL	DATE

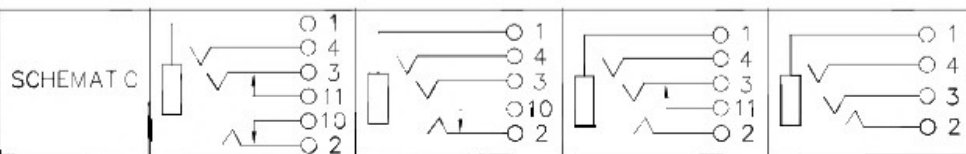
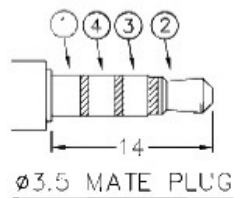


* MATERIAL

TERMINAL 1 : COPPER ALLOY
 TERMINAL 2 : COPPER ALLOY
 TERMINAL 3 : COPPER ALLOY
 TERMINAL 4 : COPPER ALLOY
 TERMINAL 10 : BRASS
 TERMINAL 11 : BRASS
 HOUSING : HIGH TEMP. PLASTIC



RECOMMENDED PCB LAYOUT
 TOLERANCE: ±0.05
 (TOP VIEW)



广东科斯达开关厂

PART NAME 3.5mm SMD STEREO JACK

TOLERANCE UNLESS OTHERWISE SPECIFIED: 0.0±0.2
0.00±0.1
0.000±0.05

UNIT: mm



DESIGN	T.Y.L	DATE	17-10-2005	SCALE	4:1
DRAWING	J.CH.OU	DATE	3-11-2016	MATERIAL	×
CHECK	H.L.TAN	DATE	3-11-2016	DWG. NO.	Z\SH389D-A/1.0
APPROVAL		DATE		SHEET	

F

E

D

C

B

A