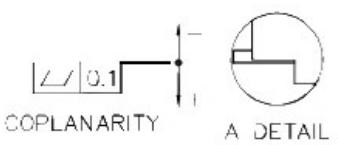
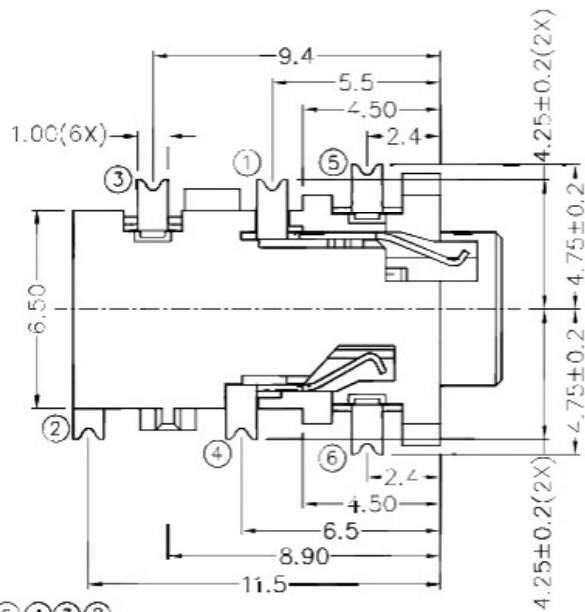
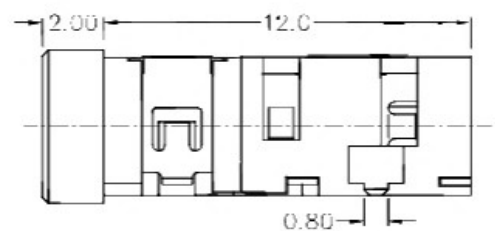
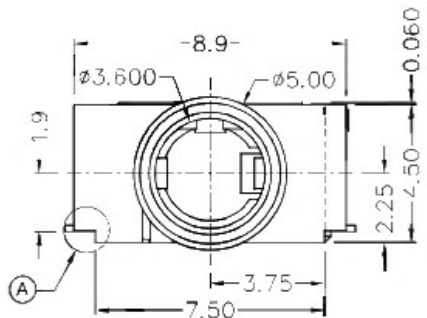
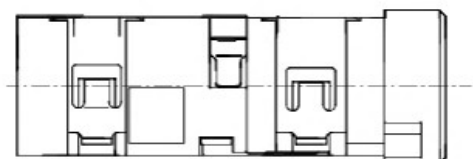
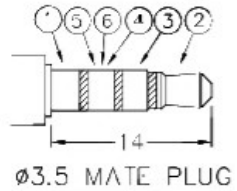
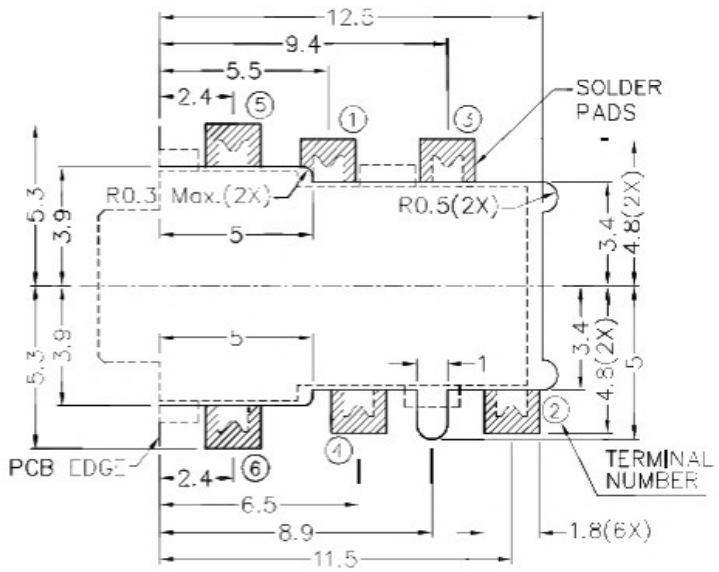
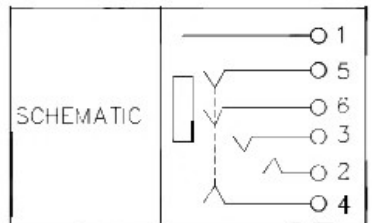


RoHS  
Compliant

ZONE	SYMBOL	REVISION	APPROVAL	DATE



- \* MATERIAL
- TERMINAL 1 : COPPER ALLOY
  - TERMINAL 2 : COPPER ALLOY
  - TERMINAL 3 : COPPER ALLOY
  - TERMINAL 4 : COPPER ALLOY
  - TERMINAL 5 : COPPER ALLOY
  - TERMINAL 6 : COPPER ALLOY
  - HOUSING : HIGH TEMP. PLASTIC
  - MYLAR : POLYIMID



**广东科斯达开关厂**

PART NAME	3.5mm SMD STEREO JACK	TOLERANCE UNLESS	0.0=0.2	UNIT:	mm
PART NO.		OTHERWISE SPECIFIED:	0.00±0.1		
			0.000±0.05		

DESIGN	X.N.ZHENG	DATE	31-10-2008	SCALE	4:1
DRAWING	T.Y.LI	DATE	11-1-2017	MATERIAL	*
CHECK	H.L.TAN	DATE	11-1-2017	DWG. NO.	TZ\5070T1-A/1.0
APPROVAL		DATE		SHEET	