

F

E

D

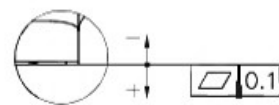
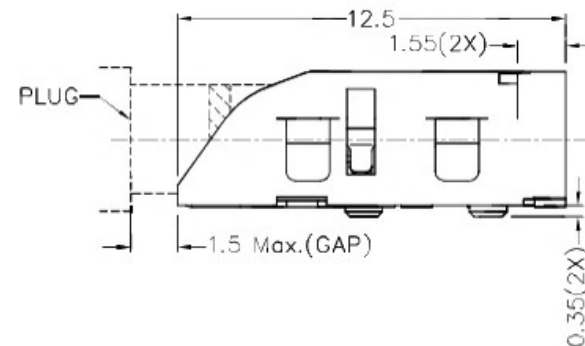
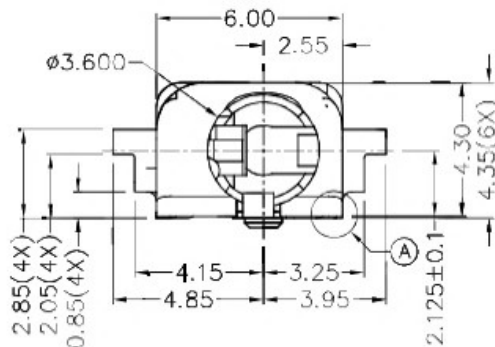
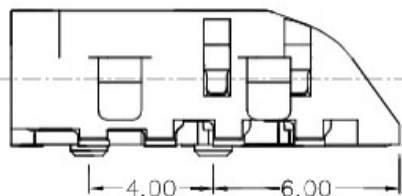
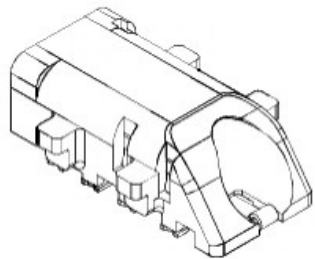
C

B

A

RoHS
Compliant

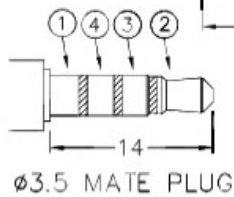
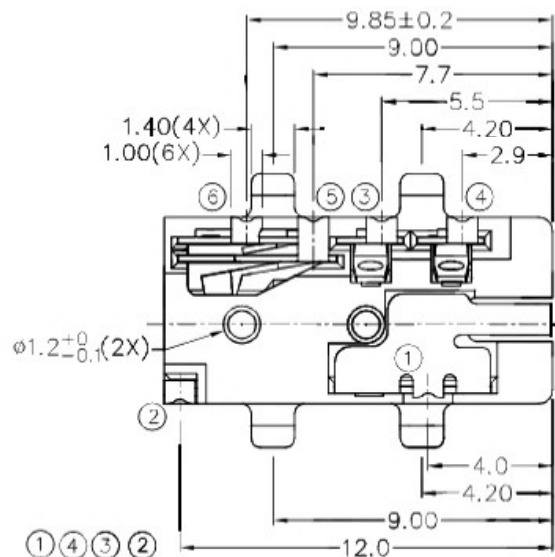
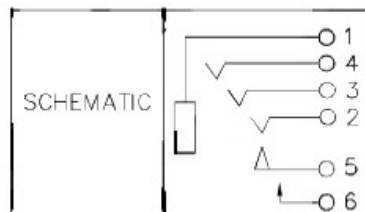
ZONE	SYMBOL	REVISION	APPROVAL	DATE



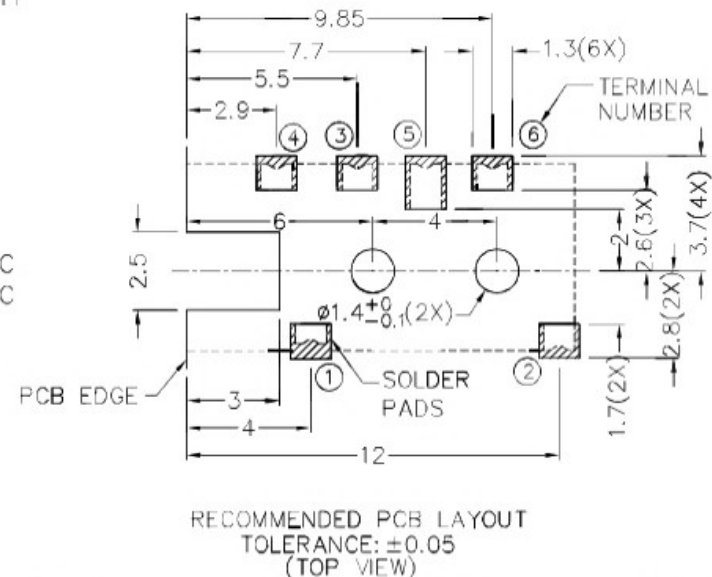
A DETAIL COPLANARITY

* MATERIAL

TERMINAL 1 : COPPER ALLOY
 TERMINAL 2 : COPPER ALLOY
 TERMINAL 3 : COPPER ALLOY
 TERMINAL 4 : COPPER ALLOY
 TERMINAL 5 : COPPER ALLOY
 TERMINAL 6 : COPPER ALLOY
 HOUSING : HIGH TEMP. PLASTIC
 INSULATOR : HIGH TEMP. PLASTIC



ø3.5 MATE PLUG



RECOMMENDED PCB LAYOUT
TOLERANCE: ±0.05
(TOP VIEW)

广东科斯达开关厂

DESIGN	G.P.YI	DATE	28-3-2013	SCALE	4:1
DRAWING	H.Q.ZHOU	DATE	10-2-2017	MATERIAL	*
CHECK	T.Y.LI	DATE	10-2-2017	DWG. NO.	TZ\SH575D-A/1.0
APPROVAL		DATE		SHEET	

PART NAME 3.5mm SMD STEREO JACK

TOLERANCE UNLESS 0.0±0.2
OTHERWISE SPECIFIED: 0.00±0.1
0.000±0.05

UNIT: mm



F

E

D

C

B

A