

F

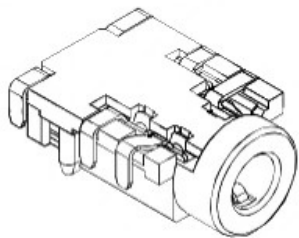
E

D

C

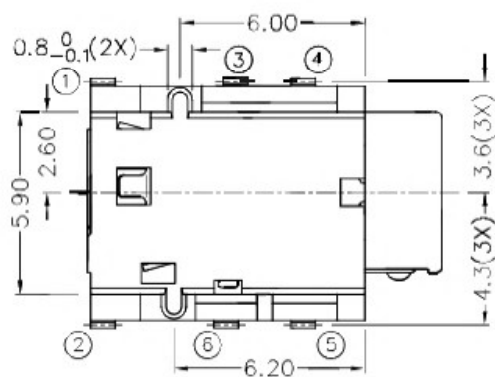
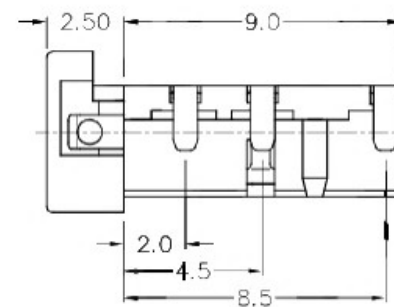
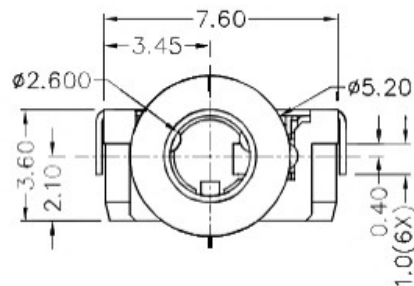
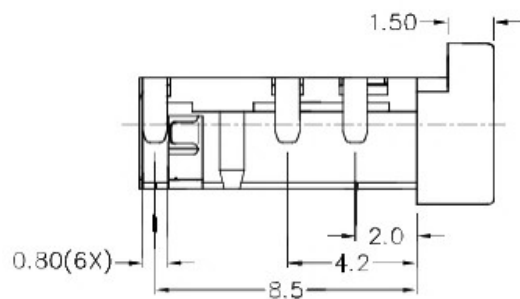
B

A



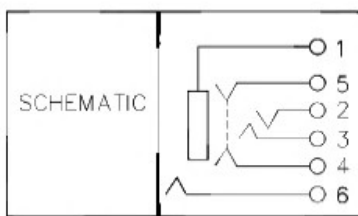
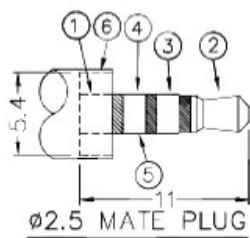
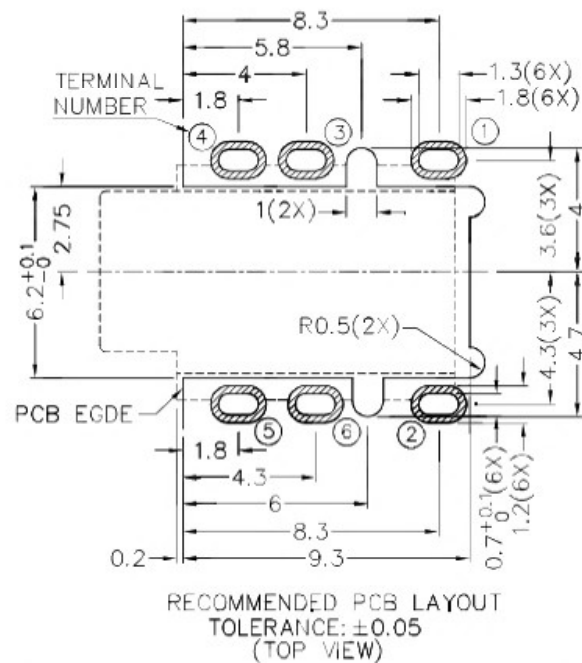
RoHS  
Compliant

ZONE	SYMBOL	REVISION	APPROVAL	DATE



\* MATERIAL

TERMINAL 1 : COPPER ALLOY  
 TERMINAL 2 : COPPER ALLOY  
 TERMINAL 3 : COPPER ALLOY  
 TERMINAL 4 : COPPER ALLOY  
 TERMINAL 5 : COPPER ALLOY  
 TERMINAL 6 : COPPER ALLOY  
 HOUSING : HIGH TEMP. PLASTIC



 广东科斯达开关厂

PART NAME	2.5mm SMD STEREO JACK	TOLERANCE UNLESS	0.0±0.2	UNIT:	mm
PART NO.		OTHERWISE SPECIFIED:	0.00±0.1 0.000±0.05		

DESIGN	H.L.TAN	DATE	15-3-2012	SCALE	4:1
DRAWING	Y.J.GUO	DATE	13-3-2017	MATERIAL	*
CHECK	T.Y.LI	DATE	13-3-2017	DWG. NO.	TZ\TG409D-A/1.0
APPROVAL		DATE		SHEET	

F

E

D

C

B

A