

F

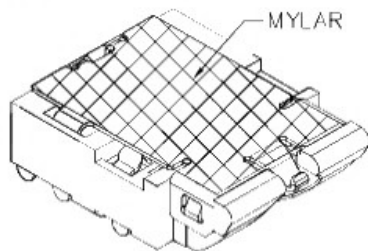
E

D

C

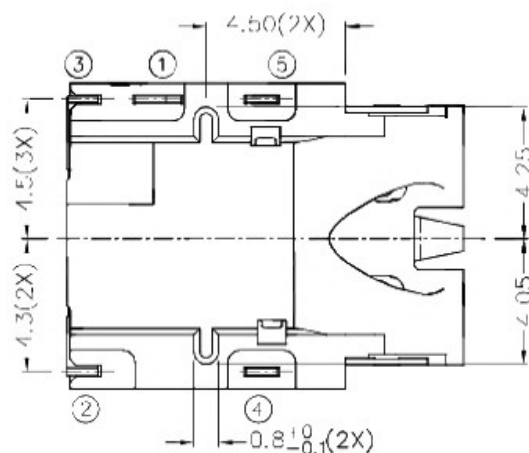
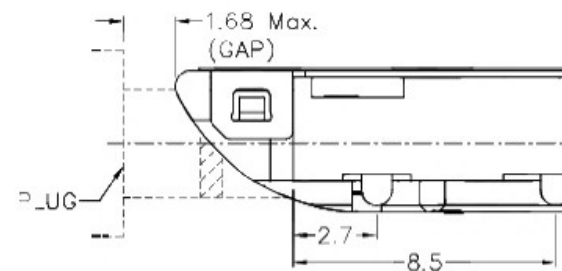
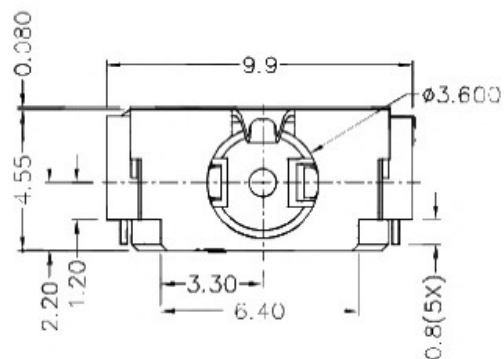
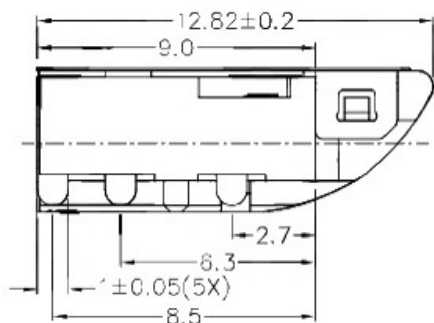
B

A



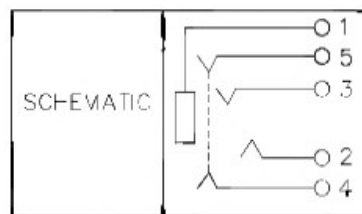
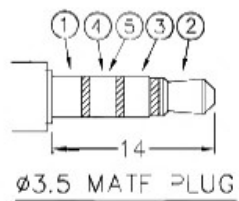
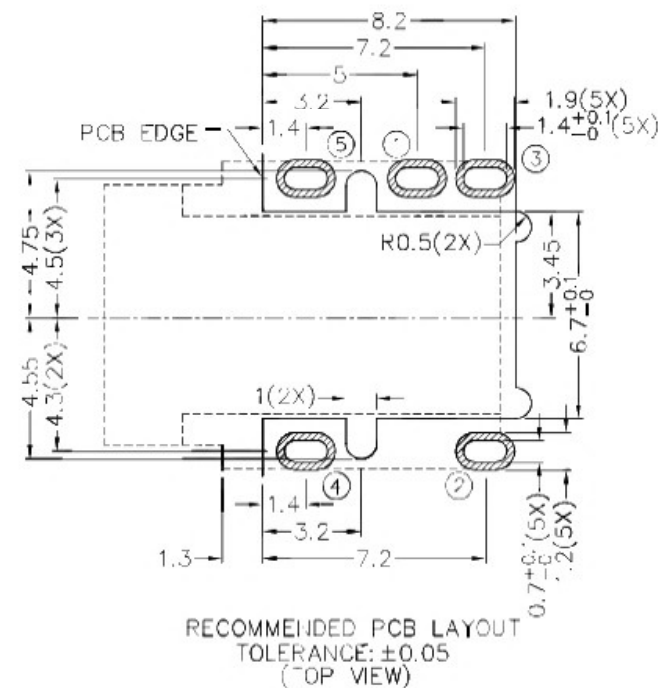
RoHS
Compliant

ZONE	SYMBOL	REVISION	APPROVAL	DATE



* MATERIAL

TERMINAL 1 : COPPER ALLOY
 TERMINAL 2 : COPPER ALLOY
 TERMINAL 3 : COPPER ALLOY
 TERMINAL 4 : COPPER ALLOY
 TERMINAL 5 : COPPER ALLOY
 MYLAR : POLYIMIDE
 HOUSING : HIGH TEMP. PLASTIC



RECOMMENDED PCB LAYOUT
 TOLERANCE: ±0.05
 (TOP VIEW)

广东科斯达开关厂

PART NAME	3.5mm SMD STEREO JACK	TOLERANCE UNLESS	0.0±0.2	UNIT:	mm	DESIGN	H.L.TAN	DATE	26-2-2013	SCALE	4:1
PART NO.		OTHERWISE SPECIFIED:	0.00±0.1 0.000±0.05				DRAWING	J.H.ZHOU	DATE	9-2-2017	MATERIAL
						CHECK	T.Y.LI	DATE	9-2-2017	DWG. NO.	Z\SH572DT1-A/1.0
						APPROVAL		DATE		SHEET	

F

E

D

C

B

A