

F

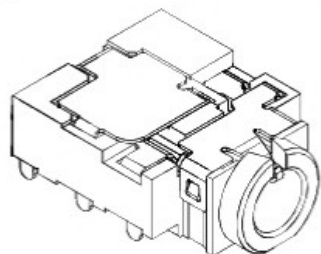
E

D

C

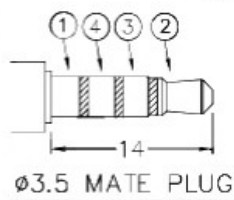
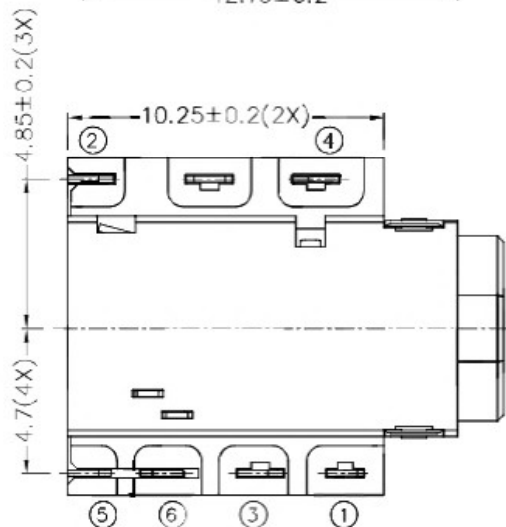
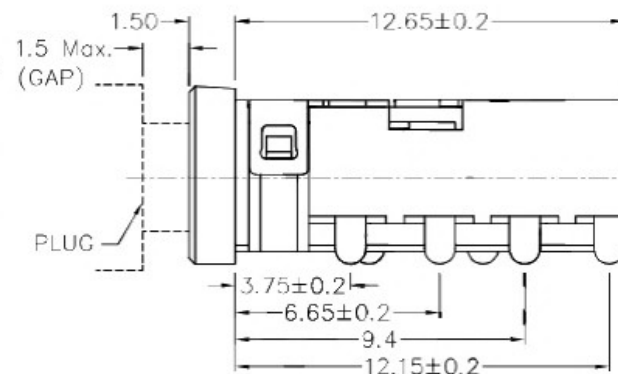
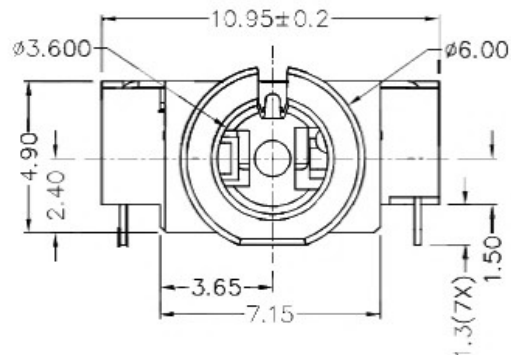
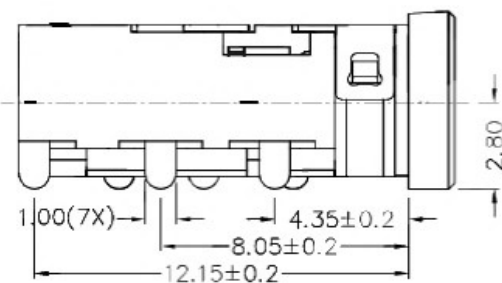
B

A



RoHS  
Compliant

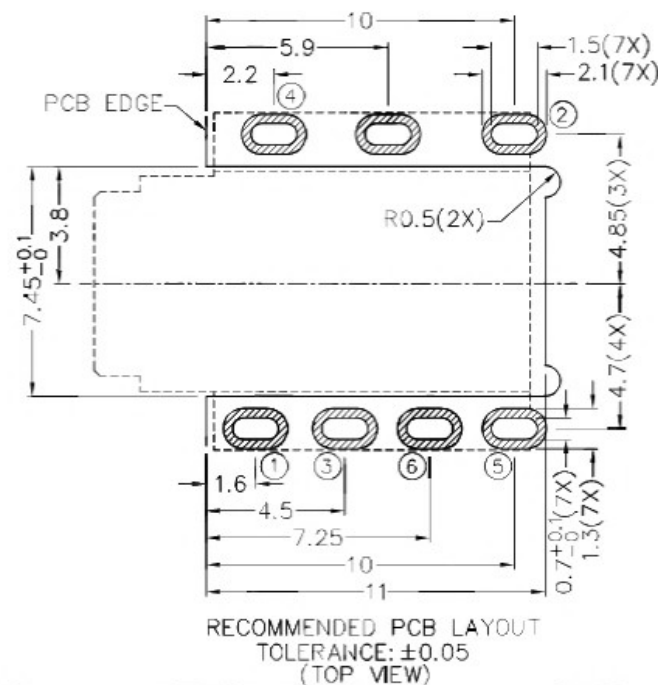
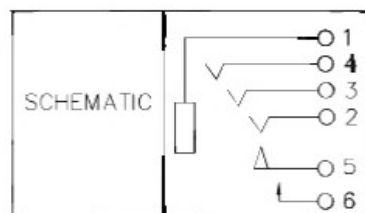
ZONE	SYMBOL	REVISION	APPROVAL	DATE



3.5 MATE PLUG

\* MATERIAL

TERMINAL 1 : COPPER ALLOY  
 TERMINAL 2 : COPPER ALLOY  
 TERMINAL 3 : COPPER ALLOY  
 TERMINAL 4 : COPPER ALLOY  
 TERMINAL 5 : COPPER ALLOY  
 TERMINAL 6 : COPPER ALLOY  
 SHIELD : BRASS  
 HOUSING : HIGH TEMP. PLASTIC  
 INSULATOR : HIGH TEMP. PLASTIC



RECOMMENDED PCB LAYOUT  
 TOLERANCE: ±0.05  
 (TOP VIEW)

 广东科斯达开关厂

PART NAME	3.5mm SMD STEREO JACK	TOLERANCE UNLESS	0.0±0.2	UNIT:	mm
PART NO.		OTHERWISE SPECIFIED:	0.00±0.1 0.000±0.05		

DESIGN	H.L.TAN	DATE	20-3-2015	SCALE	4:1
DRAWING	J.CH.OU	DATE	21-2-2017	MATERIAL	*
CHECK	T.Y.LI	DATE	21-2-2017	DWG. NO.	TZ\SH602DS-A/1.0
APPROVAL		DATE		SHEET	

F

E

D

C

B

A