

F

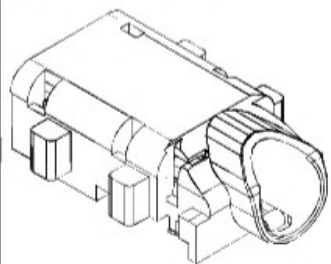
E

D

C

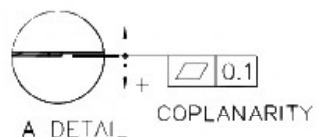
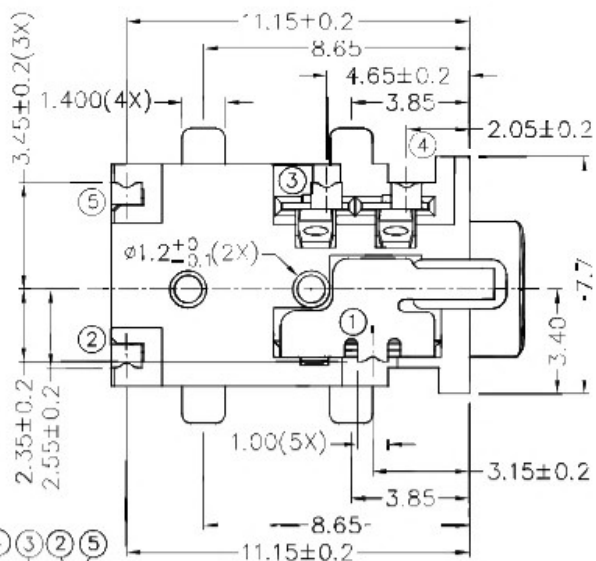
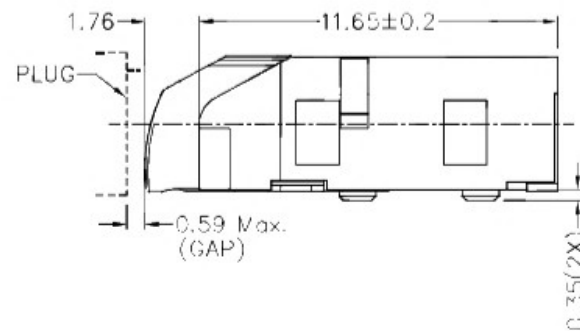
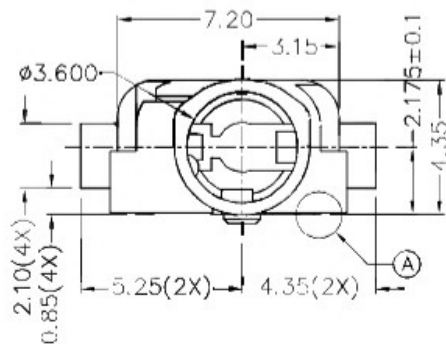
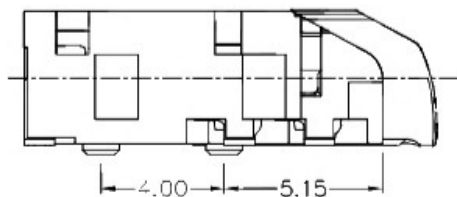
B

A



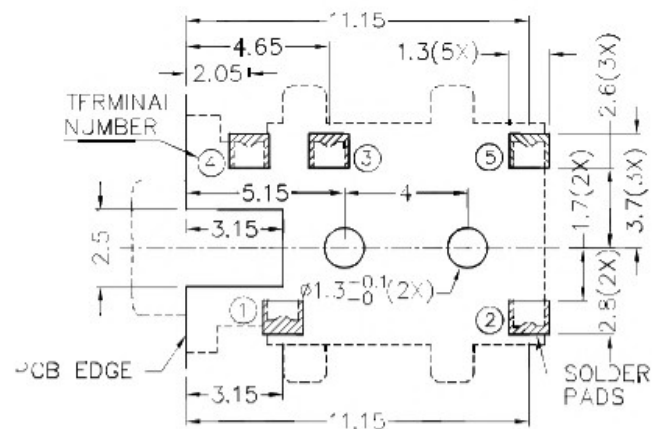
RoHS  
Compliant

ZONF	SYMBOL	REVISION	A-PROVAL	DATE

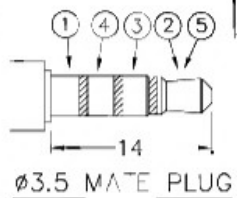


\* MATERIAL

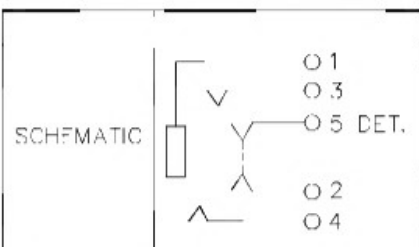
TERMINAL 1 : COPPER ALLOY  
 TERMINAL 2 : COPPER ALLOY  
 TERMINAL 3 : COPPER ALLOY  
 TERMINAL 4 : COPPER ALLOY  
 TERMINAL 5 : COPPER ALLOY  
 HOUSING : HIGH TEMP. PLASTIC




RECOMMENDED PCB LAYOUT  
 TOLERANCE: ±0.05  
 (TOP VIEW)



Ø3.5 MATE PLUG



 广东科斯达开关厂

DESIGN	J.H.ZHOU	DATE	12-11-2014	SCALE	4:1
DRAWING	T.Y.LI	DATE	2-2-2017	MATERIAL	*
CHECK	H.L.TAN	DATE	2-2-2017	DWG. NO.	T7\SH600D-A/1.0
APPROVAL		DATE		SHEET	

PART NAME 3.5mm SMD STEREO JACK

TOLERANCE UNLESS 0.0±0.2

UNIT: mm

OTHERWISE SPECIFIED: 0.00±0.1  
0.00±0.05



F

E

D

C

B

A