

F

E

D

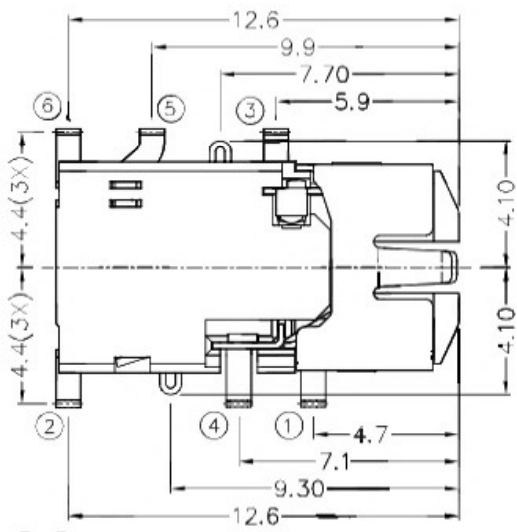
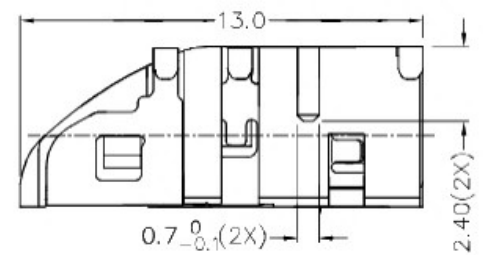
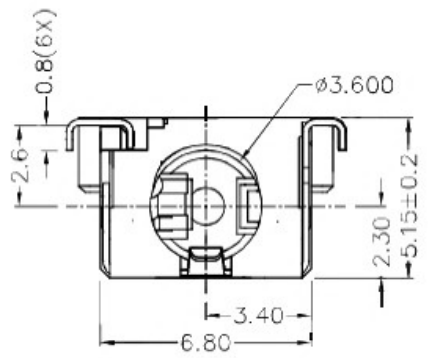
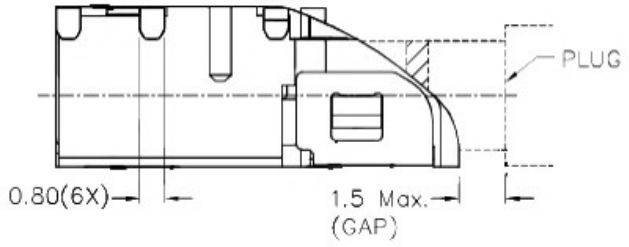
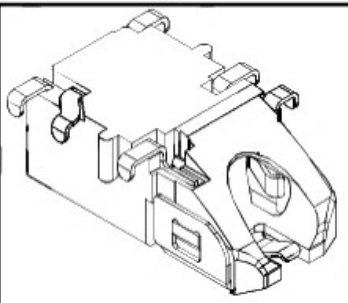
C

B

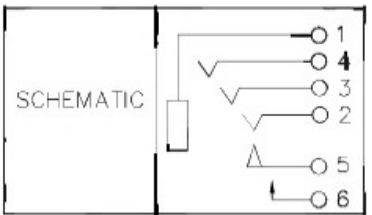
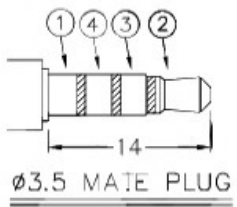
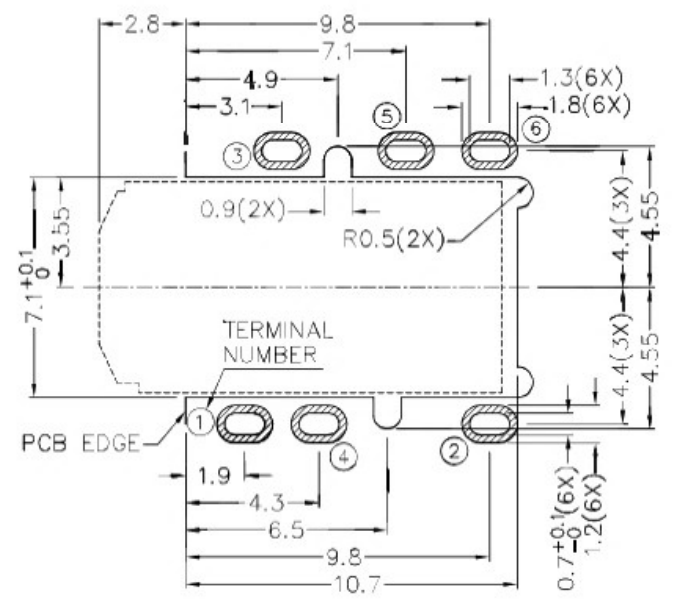
A

ZONE	SYMBOL	REVISION	APPROVAL	DATE

RoHS
Compliant




- * MATERIAL
- TERMINAL 1 : COPPER ALLOY
 - TERMINAL 2 : COPPER ALLOY
 - TERMINAL 3 : COPPER ALLOY
 - TERMINAL 4 : COPPER ALLOY
 - TERMINAL 5 : COPPER ALLOY
 - TERMINAL 6 : COPPER ALLOY
 - HOUSING : HIGH TEMP. PLASTIC
 - INSULATOR : HIGH TEMP. PLASTIC



RECOMMENDED PCB LAYOUT
TOLERANCE: ±0.05
(TOP VIEW)

 **广东科斯达开关厂**

PART NAME	3.5mm SMD STEREO JACK	TOLERANCE UNLESS	0.0±0.2	UNIT: 
PART NO.		OTHERWISE SPECIFIED:	0.00±0.1 0.000±0.05	

DESIGN	J.X.KUANG	DATE	25-1-2013	SCALE	4:1
DRAWING	J.H.ZHOU	DATE	7-2-2017	MATERIAL	*
CHECK	T.Y.LI	DATE	7-2-2017	DWG. NO.	TZ\SH564D-A/1.0
APPROVAL		DATE		SHEET	

F

E

D

C

B

A