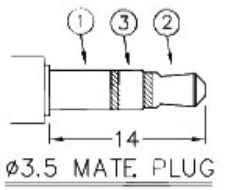
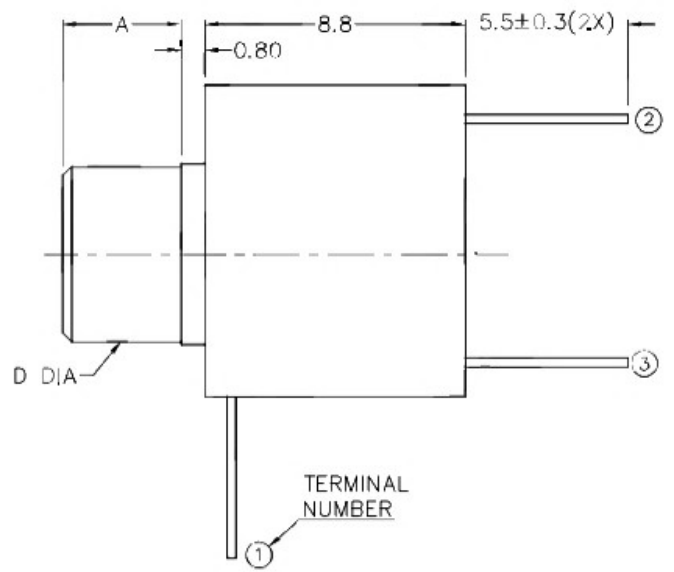
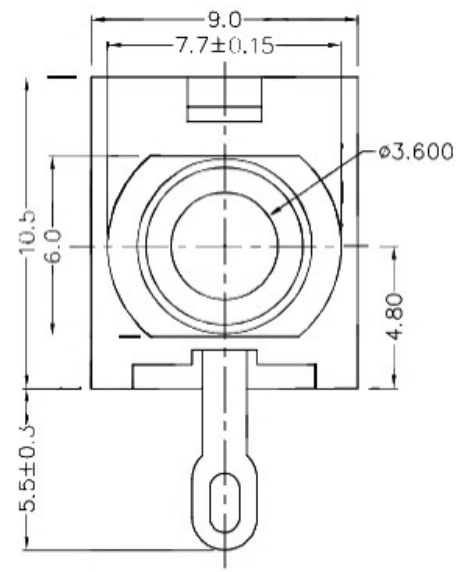
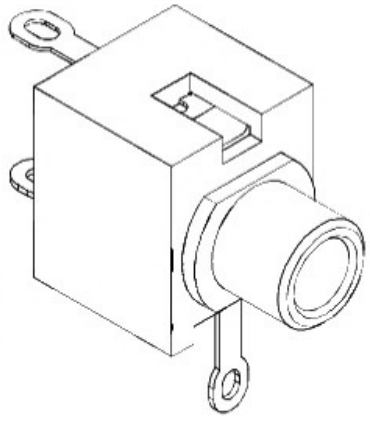


ZONE		SYMBOL		REVISION		APPROVAL		DATE	

RoHS
Compliant



D DIA	THREADED	FLASHED	THREADED	FLASHED
	M6X0.5	ϕ6.0	M6X0.5	ϕ6.0
A	4.0mm	4.0mm	3.5mm	3.5mm
SCHEMATIC				

* MATERIAL
 TERMINAL 1 : BRASS
 TERMINAL 2 : COPPER ALLOY
 TERMINAL 3 : BRASS
 BUSHING : BRASS
 HOUSING : THERMOPLASTIC

广东科斯达开关厂

DESIGN	J.X.KUANG	DATE	2-10-2003	SCALE	4:1
DRAWING	J.H.ZHOU	DATE	19-9-2016	MATERIAL	*
CHECK	T.Y.LI	DATE	19-9-2016	DWG. NO.	TZ\TG35S-B/1.0
APPROVAL		DATE	19-9-2016	SHEET	

PART NAME	3.5mm STEREO JACK	TOLERANCE UNLESS	0.0±0.2	UNIT:
PART NO.		OTHERWISE SPECIFIED:	0.00±0.1 0.000±0.05	