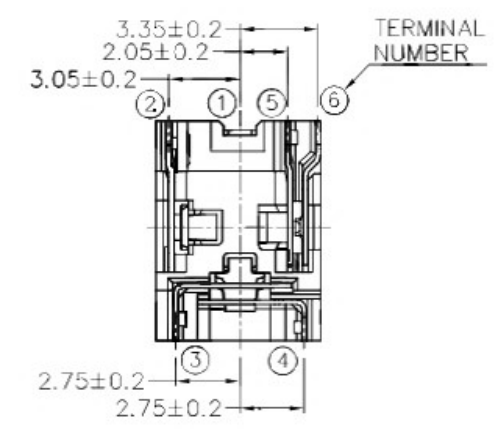
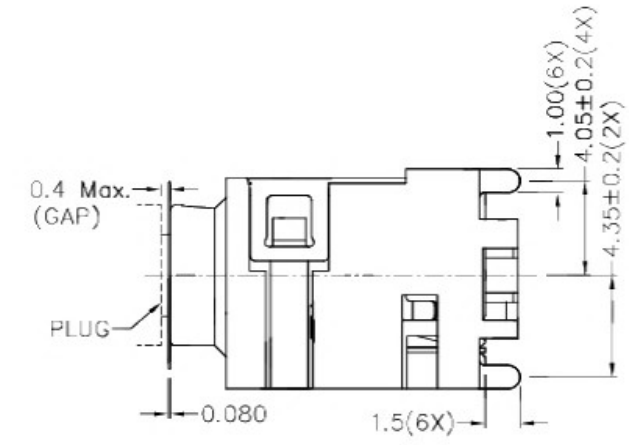
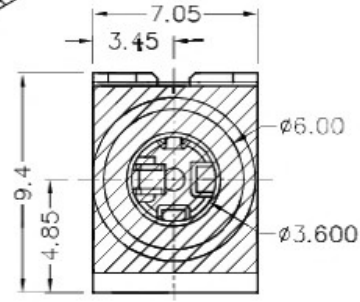
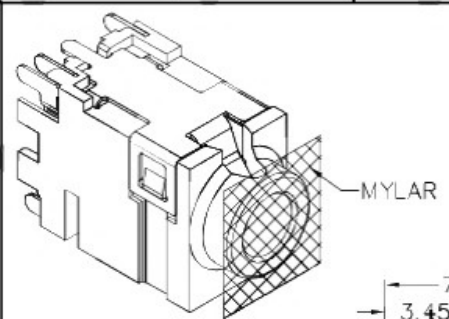
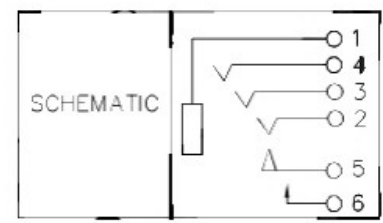
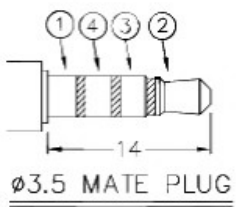
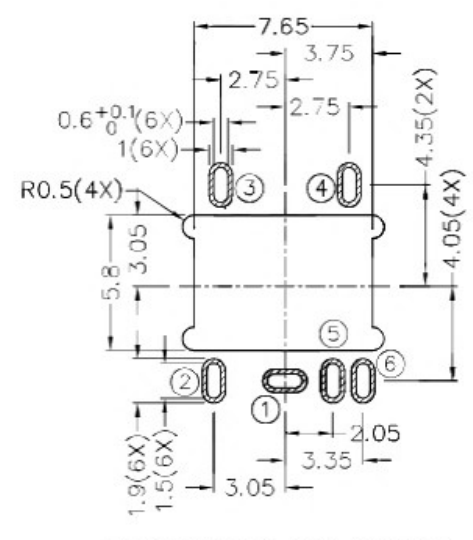
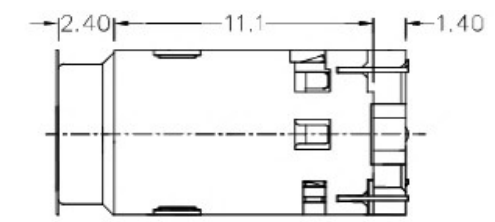


RoHS  
Compliant

C		B		A	
ZONE	SYMBOL	REVISION	APPROVAL	DATE	



- \* MATERIAL
- TERMINAL 1 : COPPER ALLOY
  - TERMINAL 2 : COPPER ALLOY
  - TERMINAL 3 : COPPER ALLOY
  - TERMINAL 4 : COPPER ALLOY
  - TERMINAL 5 : COPPER ALLOY
  - TERMINAL 6 : COPPER ALLOY
  - HOUSING : HIGH TEMP. PLASTIC
  - INSULATOR : HIGH TEMP. PLASTIC
  - MYLAR : POLYIMIDE



RECOMMENDED PCB LAYOUT  
TOLERANCE: ±0.05  
(TOP VIEW)

 广东科斯达开关厂

PART NAME		3.5mm STEREO JACK		TOLERANCE UNLESS 0.0±0.2		UNIT: mm		DESIGN	H.L.TAN	DATE	25-1-2016	SCALE	3:1
PART NO.				OTHERWISE SPECIFIED: 0.00±0.1				DRAWING	H.Q.ZHOU	DATE	21-2-2017	MATERIAL	*
				0.000±0.05				CHECK	T.Y.LI	DATE	21-2-2017	DWG. NO.	TZ\SH605T1-A/1.0
								APPROVAL		DATE		SHEET	