

F

E

D

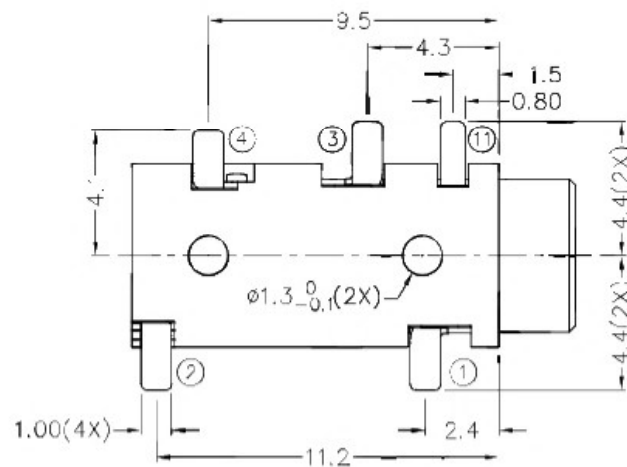
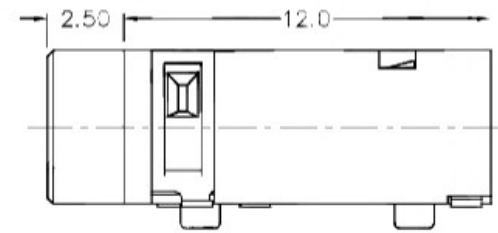
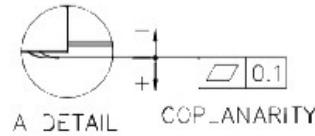
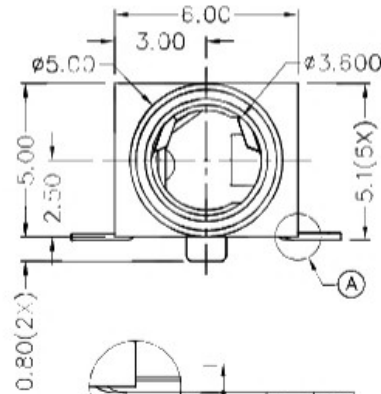
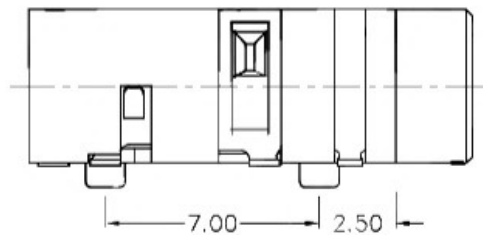
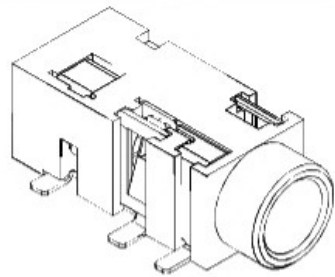
C

B

A

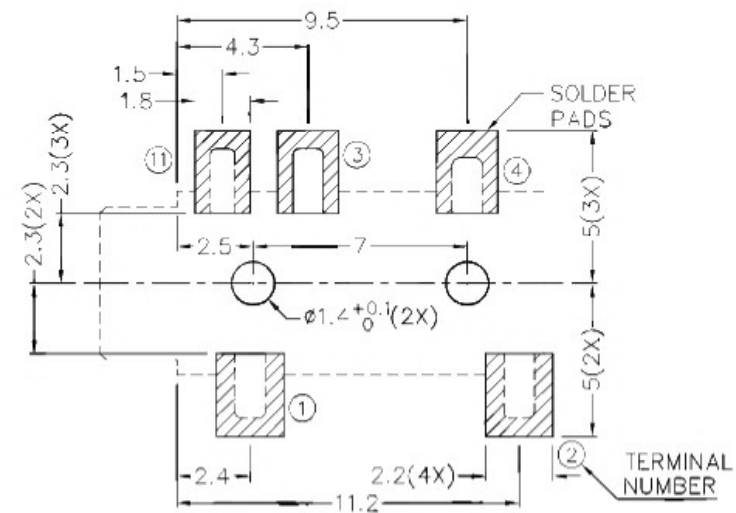
ZCNF	SYMBOL	REVISION	APPROVAL	DATE

RoHS  
Compliant

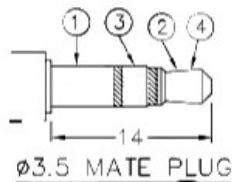


\* MATERIAL

TERMINAL 1 : COPPER ALLOY  
 TERMINAL 2 : COPPER ALLOY  
 TERMINAL 3 : COPPER ALLOY  
 TERMINAL 4 : COPPER ALLOY  
 TERMINAL 11 : COPPER ALLOY  
 HOUSING : HIGH TEMP. PLASTIC



RECOMMENDED PCB LAYOUT  
 TOLERANCE: ±0.05  
 (TOP VIEW)



MODEL NO.	TSP-5045D	TSH-5044D
SCHEMATIC		

广东科斯达开关厂

DESIGN	C.P.Y	DATE	7-11-2007	SCALE	4:1
DRAWING	T.Y.LI	DATE	10-1-2017	MATERIAL	*
CHECK	H...TAN	DATE	10-1-2017	DWG. NO.	TZ\SH504D-A/1.0
APPROVAL		DATE		SHEET	

PART NAME	3.5mm SMD STEREO JACK	TOLERANCE UNLESS	0.0±0.2	UNIT:	
PART NO.		OTHERWISE SPECIFIED:	0.00±0.1	mm	

F

E

D

C

B

A