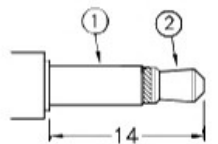
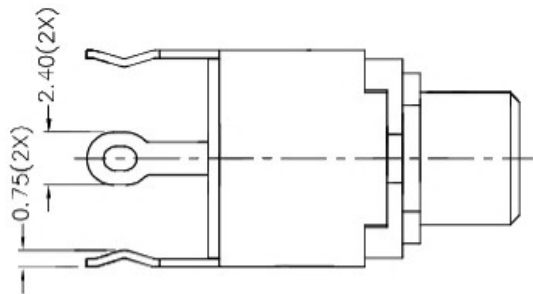
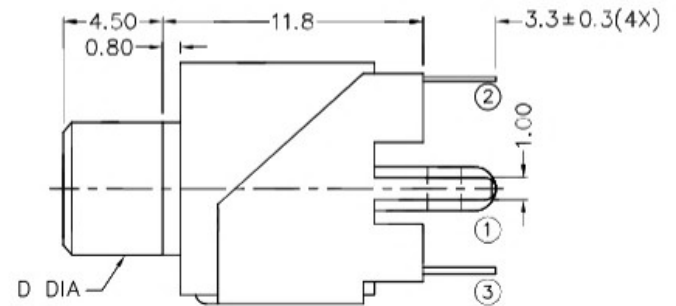
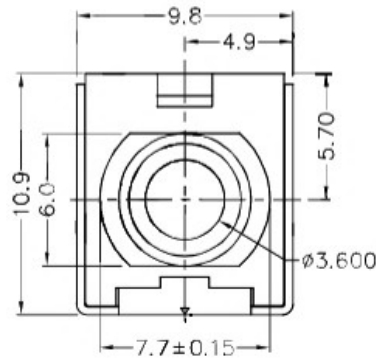
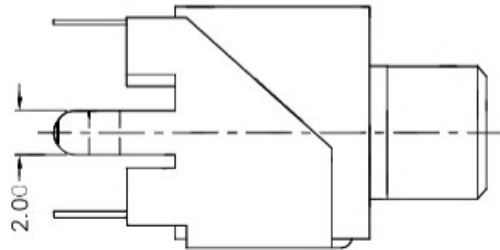
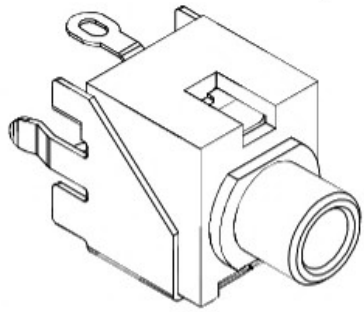


ZONE	SYMBOL	REVISION	APPROVAL	DATE

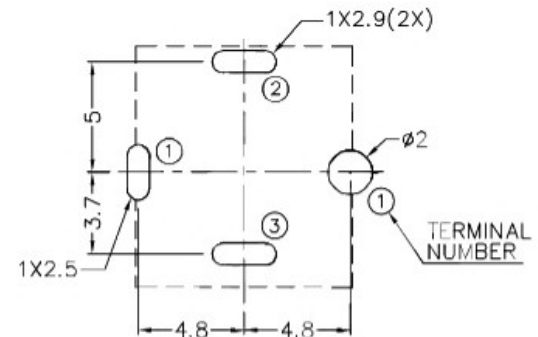
**RoHS**  
Compliant



Ø3.5 MATE PLUG

**\* MATERIAL**

- TERMINAL 1 : COLD ROLLED STEEL
- TERMINAL 2 : COPPER ALLOY
- TERMINAL 3 : BRASS
- BUSHING : BRASS
- HOUSING : THERMOPLASTIC



RECOMMENDED PCB LAYOUT  
TOLERANCE: ±0.05  
(TOP VIEW)

D DIA	THREADED	FLASHED
	M6X0.5	Ø5.5
SCHEMATIC		

**广东科斯达开关厂**

PART NAME	3.5mm PHONE JACK	TOLERANCE UNLESS	0.0±0.2	UNIT:
PART NO.		OTHERWISE SPECIFIED:	0.00±0.1 0.000±0.05	

DESIGN	J.X.KUANG	DATE	13-12-2003	SCALE	3:1
DRAWING	T.Y.LI	DATE	20-9-2016	MATERIAL	*
CHECK	H.L.TAN	DATE	20-9-2016	DWG. NO.	TZ\TG35-4-B/1.0
APPROVAL		DATE	20-9-2016	SHEET	