

F

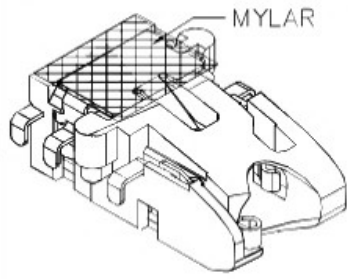
E

D

C

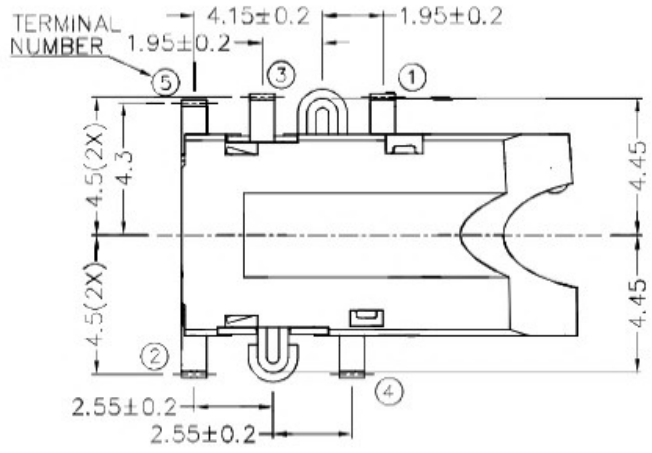
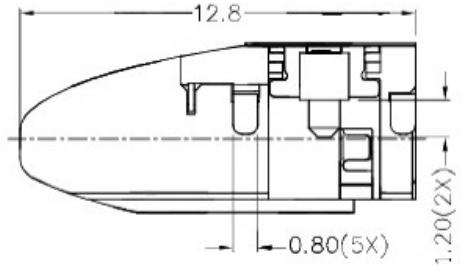
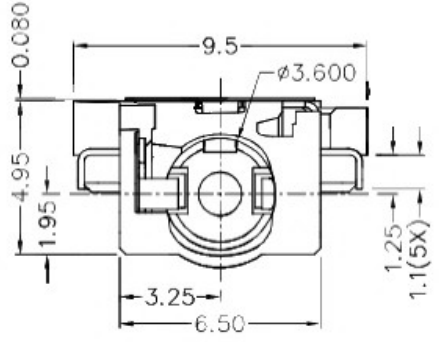
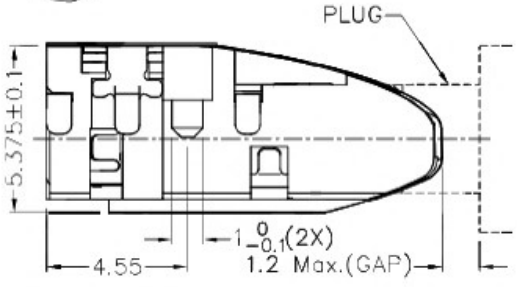
B

A

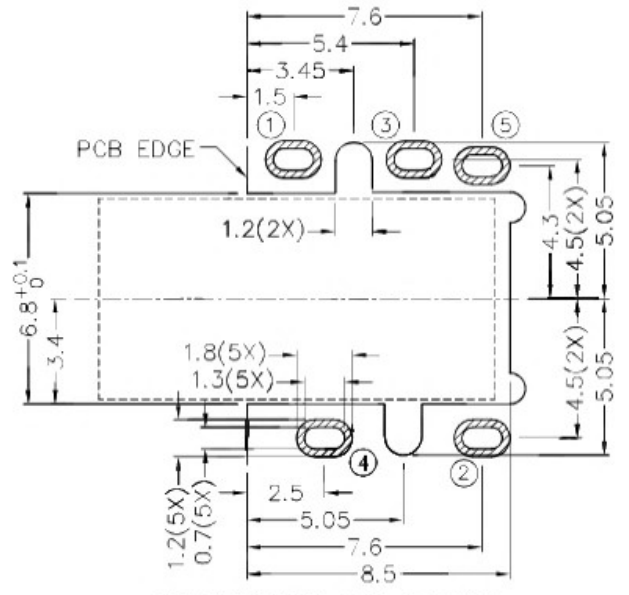
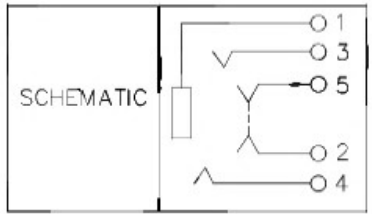
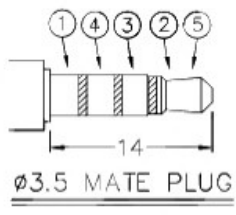


RoHS
Compliant

ZONE	SYMBOL	REVISION	APPROVAL	DATE



- * MATERIAL**
- TERMINAL 1 : COPPER ALLOY
 - TERMINAL 2 : COPPER ALLOY
 - TERMINAL 3 : COPPER ALLOY
 - TERMINAL 4 : COPPER ALLOY
 - TERMINAL 5 : COPPER ALLOY
 - HOUSING : HIGH TEMP. PLASTIC
 - MYLAR : POLYIMIDE



RECOMMENDED PCB LAYOUT
TOLERANCE: ±0.05
(TOP VIEW)

 **广东科斯达开关厂**

PART NAME	3.5mm SMD STEREO JACK	TOLERANCE UNLESS	0.0±0.2	UNIT: 
PART NO.		OTHERWISE SPECIFIED:	0.00±0.1 0.000±0.05	

DESIGN	H.L.TAN	DATE	6-10-2012	SCALE	4:1
DRAWING	J.H.ZHOU	DATE	20-1-2017	MATERIAL	*
CHECK	T.Y.LI	DATE	20-1-2017	DWG. NO.	TZ\SH557D11-A/1.0
APPROVAL		DATE		SHEET	

F

E

D

C

B

A