

F

E

D

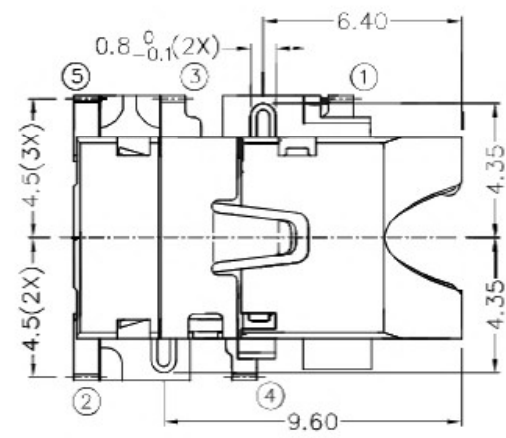
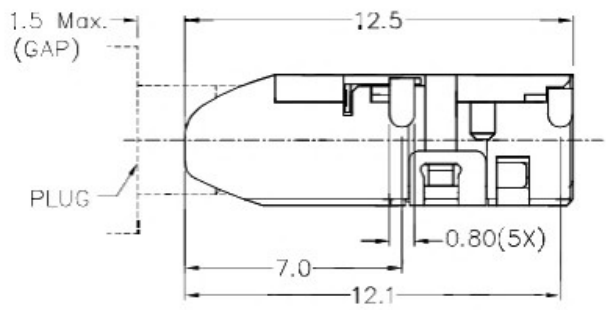
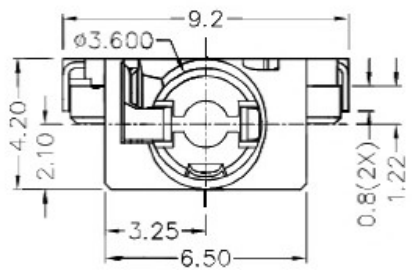
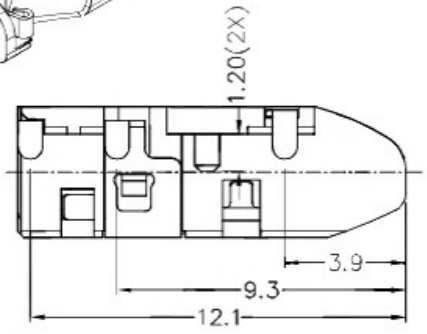
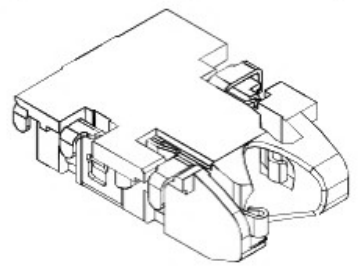
C

B

A

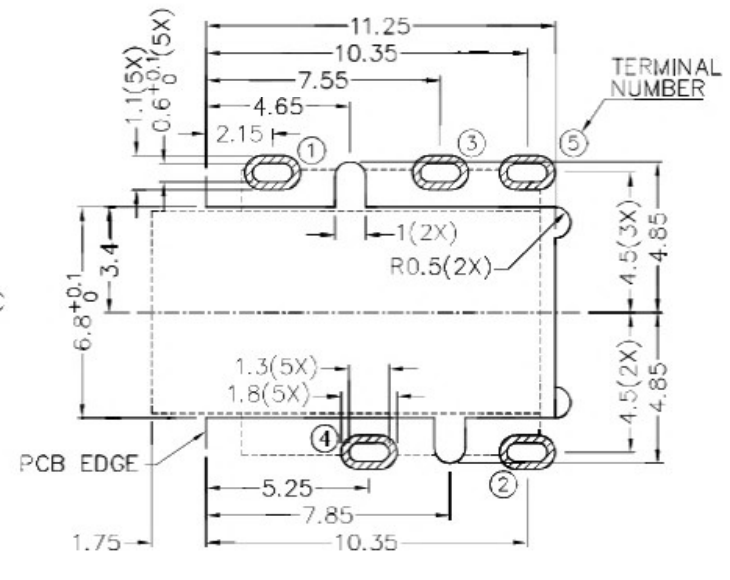
RoHS  
Compliant

ZONE	SYMBOL	REVISION	APPROVAL	DATE

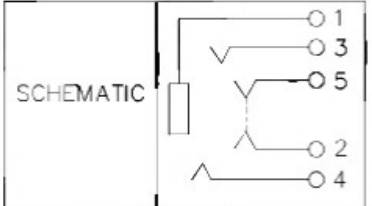
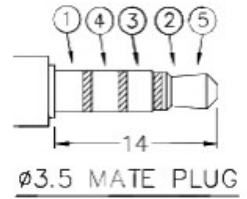


\* MATERIAL

- TERMINAL 1 : COPPER ALLOY
- TERMINAL 2 : COPPER ALLOY
- TERMINAL 3 : COPPER ALLOY
- TERMINAL 4 : COPPER ALLOY
- TERMINAL 5 : COPPER ALLOY
- HOUSING : HIGH TEMP. PLASTIC




RECOMMENDED PCB LAYOUT  
TOLERANCE: ±0.05  
(TOP VIEW)



 广东科斯达开关厂

DESIGN	J.H.ZHOU	DATE	3-6-2015	SCALE	4:1
DRAWING	H.Q.ZHOU	DATE	21-2-2017	MATERIAL	*
CHECK	T.Y.LI	DATE	21-2-2017	DWG. NO.	TZ\SH604D-A/1.0
APPROVAL		DATE		SHEET	

PART NAME	3.5mm SMD STEREO JACK	TOLERANCE UNLESS	0.0±0.2	UNIT:	
PART NO.		OTHERWISE SPECIFIED:	0.00±0.1 0.000±0.05	mm	

F

E

D

C

B

A