

F

E

D

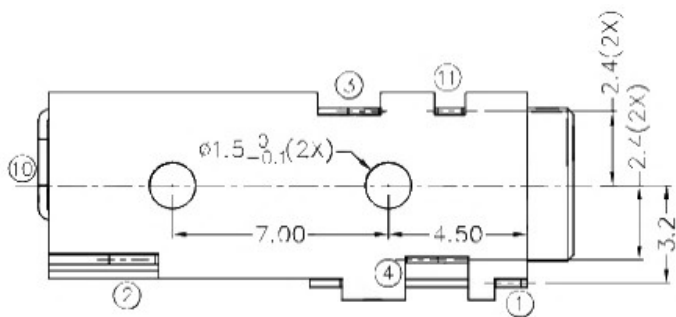
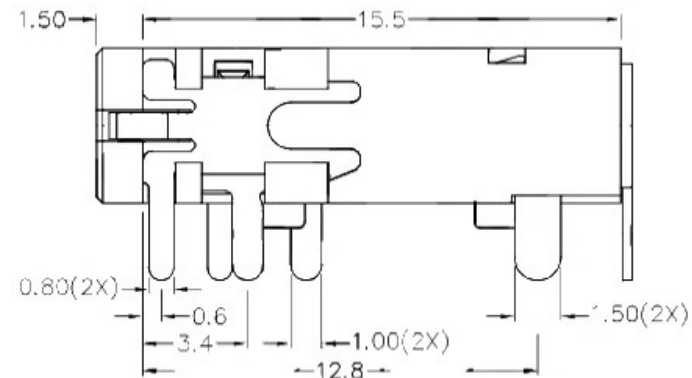
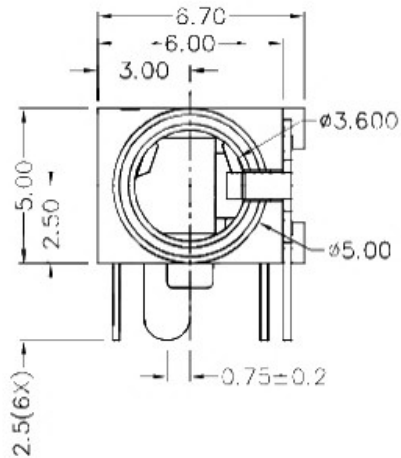
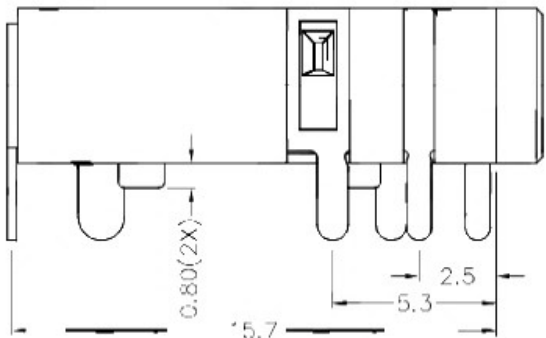
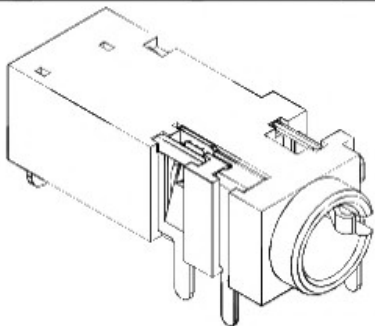
C

B

A

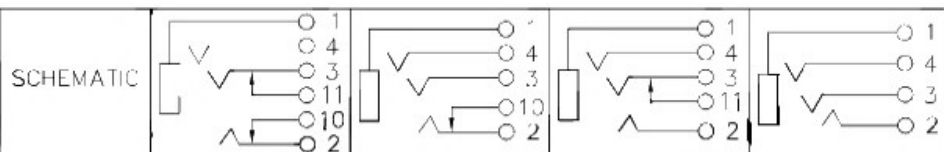
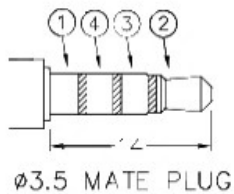
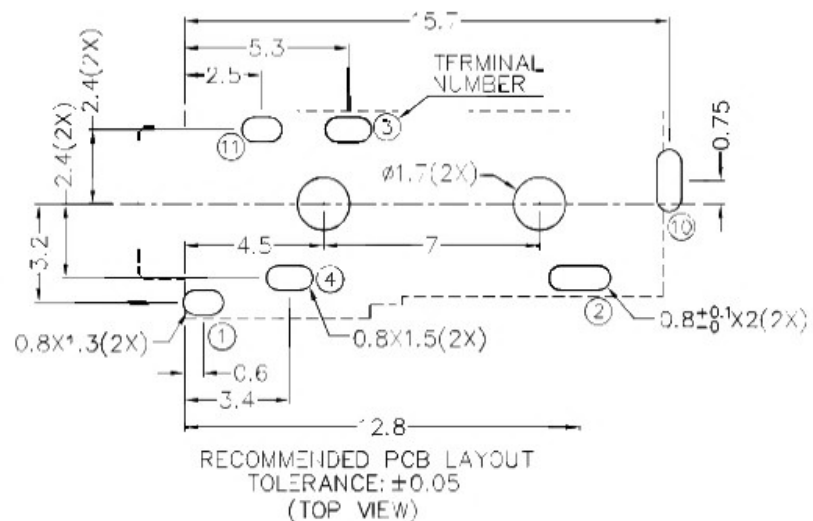
RoHS
Compliant

ZONE	SYMBOL	REVISION	APPROVAL	DATE



* MATERIAL

TERMINAL 1 : COPPER ALLOY
 TERMINAL 2 : COPPER ALLOY
 TERMINAL 3 : COPPER ALLOY
 TERMINAL 4 : COPPER ALLOY
 TERMINAL 10 : BRASS
 TERMINAL 11 : BRASS
 HOUSING : THERMOPLASTIC



PART NAME 3.5mm STEREO JACK

TOLERANCE UNLESS OTHERWISE SPECIFIED: 0.0±0.2, 0.00±0.1, 0.000±0.05

UNIT: mm



DESIGN	J.X.KUANG	DATE	7-10-2003	SCALE	4:1
DRAWING	J.H.ZHOU	DATE	27-12-2016	MATERIAL	*
CHECK	T.Y.LI	DATE	27-12-2016	DWG. NO.	TZ\SH377-B/1.0
APPROVAL		DATE		SHEET	

F

E

D

C

B

A