

F

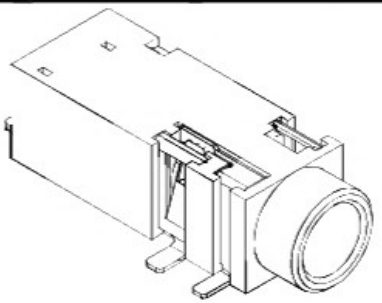
E

D

C

B

A

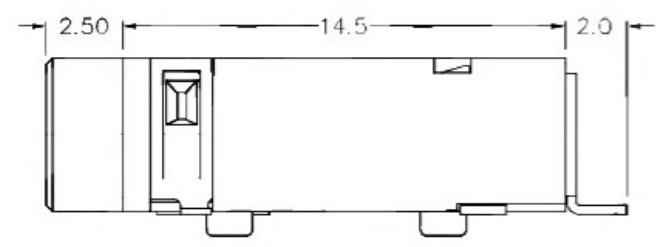
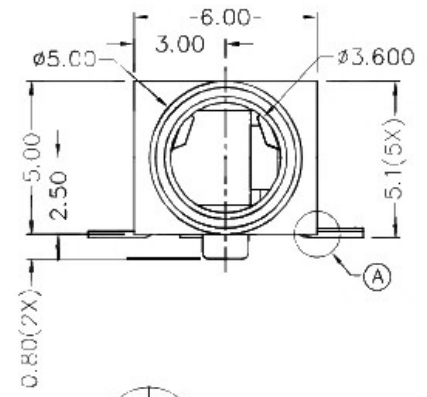
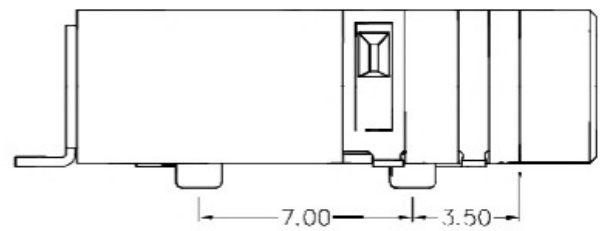


RoHS
Compliant

ZCNF	SYMBOL	REVISION	APPROVAL	DATE

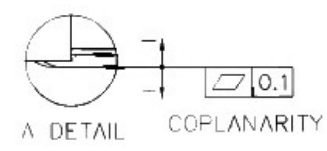
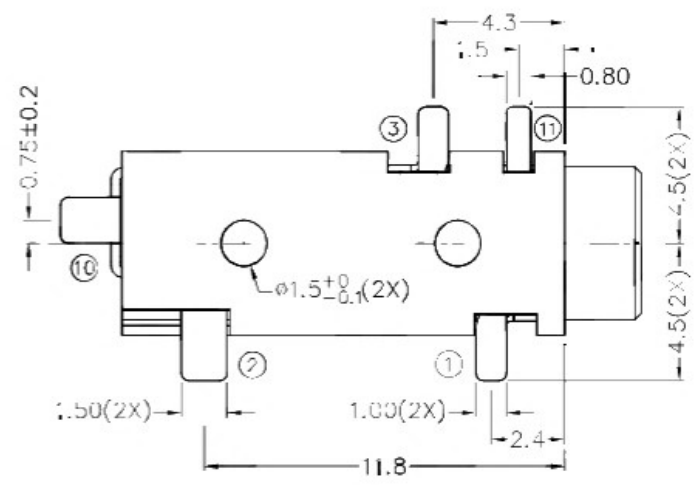
1

1

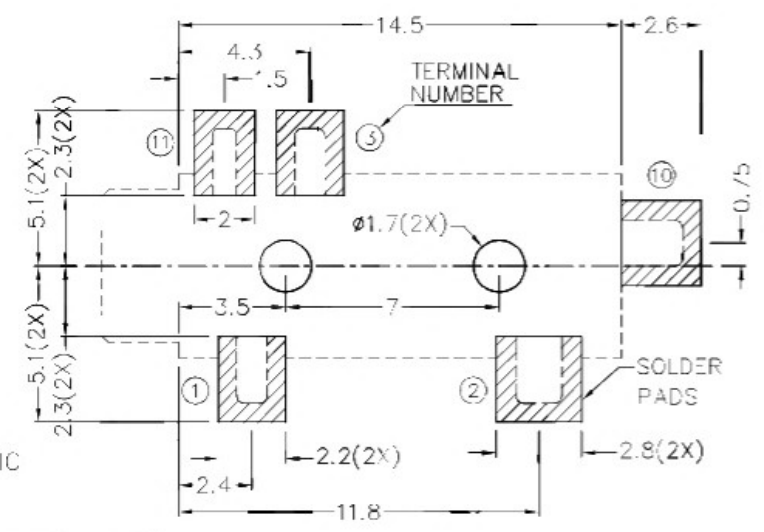


2

2

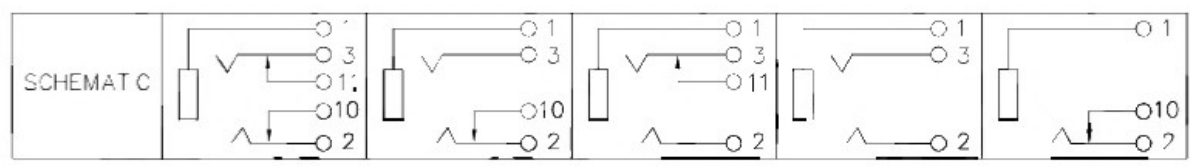
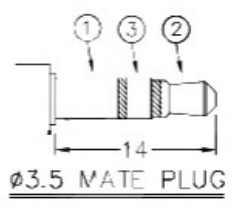


*** MATERIAL**
 TERMINAL 1 : COPPER ALLOY
 TERMINAL 2 : COPPER ALLOY
 TERMINAL 3 : COPPER ALLOY
 TERMINAL 10 : BRASS
 TERMINAL 11 : COPPER ALLOY
 HOUSING : HIGH TEMP. PLASTIC



3

3



RECOMMENDED PCB LAYOUT
 TOLERANCE: ±0.05
 (TOP VIEW)

4

4

广东科斯达开关厂

DESIGN	J.JIANG	DATE	3-5-2004	SCALE	4:1
DRAWING	I.Y.LI	DATE	16-12-2016	MATERIAL	*
CHECK	H.L.TAN	DATE	16-12-2016	DWG. NO.	I/\SH569-A/1.0
APPROVAL		DATE		SHEET	

PART NAME	3.5mm SMD STEREO JACK	TOLERANCE UNLESS	0.0±0.2	UNIT:	mm
PART NO.		OTHERWISE SPECIFIED:	0.00±0.1 0.000±0.05		

F

E

D

C

B

A