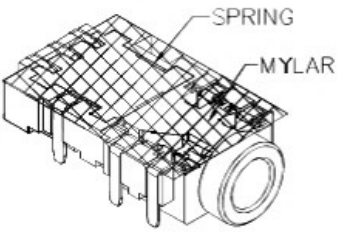


F E D C B A

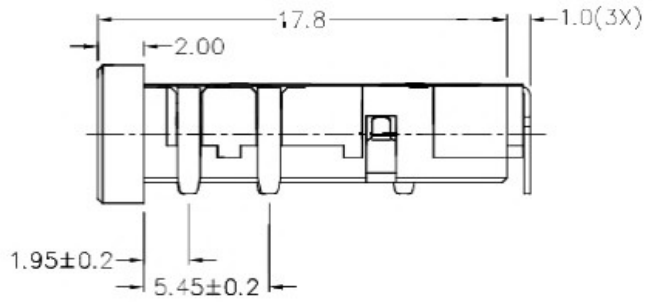
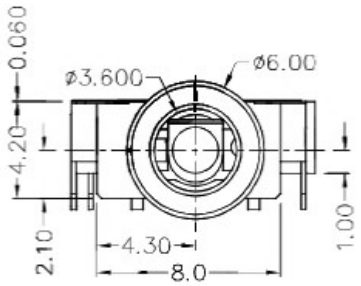
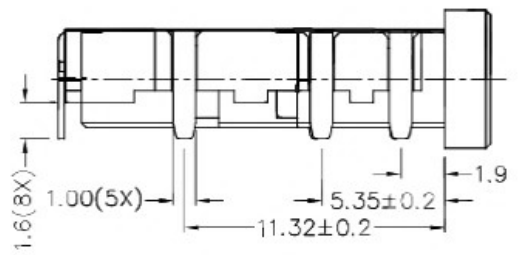


**RoHS**  
Compliant

ZONE	SYMBOL	REVISION	APPROVAL	DATE

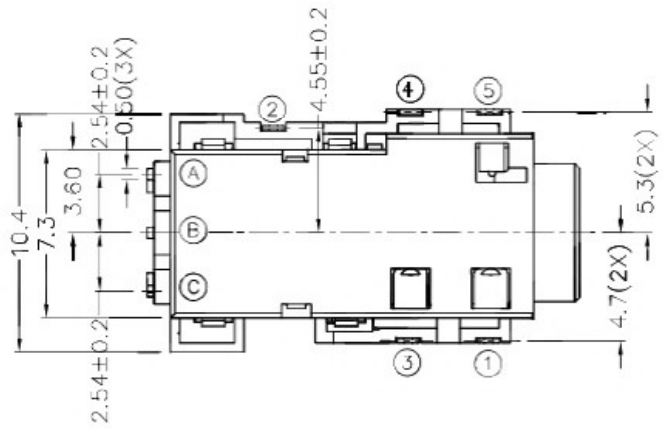
1

1



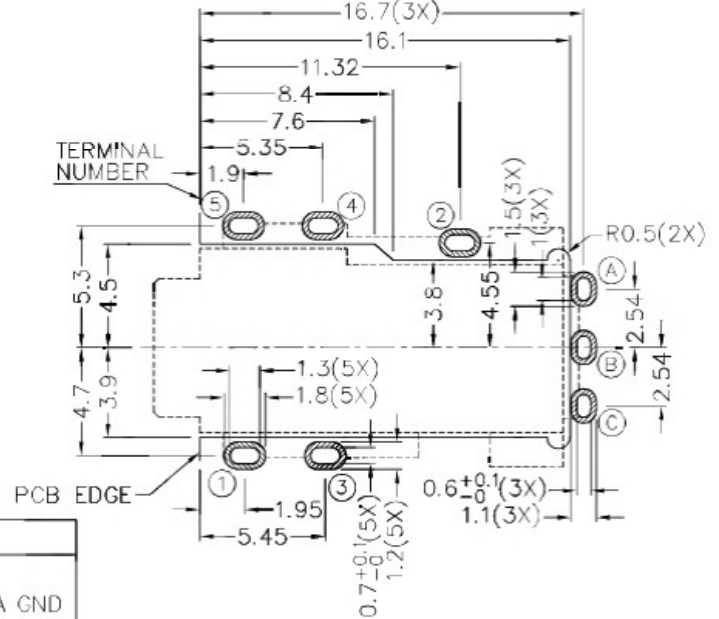
2

2



**\* MATERIAL**

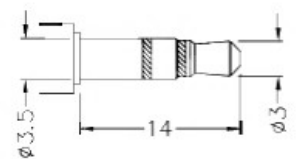
- TERMINAL 1 : COPPER ALLOY
- TERMINAL 2 : COPPER ALLOY
- TERMINAL 3 : COPPER ALLOY
- TERMINAL 4 : COPPER ALLOY
- TERMINAL 5 : COPPER ALLOY
- SPRING : STAINLESS STEEL
- HOUSING : HIGH TEMP. PLASTIC
- COVER : HIGH TEMP. PLASTIC
- MYLAR : POLYIMIDE
- DRIVE IC :



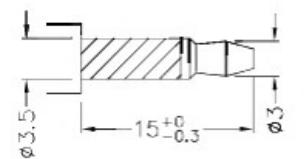
RECOMMENDED PCB LAYOUT  
TOLERANCE: ±0.05  
(TOP VIEW)

3

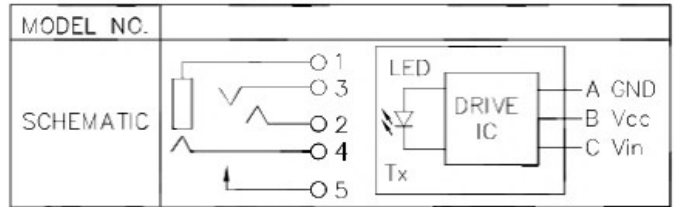
3



MATING STEREO PLUG



MATING OPTICAL FIBER PLUG



4

4

**广东科斯达开关厂**

DESIGN	X.N.ZHENG	DATE	5-3-2010	SCALE	3:1
DRAWING	H.Q.ZHOU	DATE	15-3-2017	MATERIAL	*
CHECK	T.Y.LI	DATE	15-3-2017	DWG. NO.	IZ\0J005DT11-A/1.0
APPROVAL		DATE		SHEET	

PART NAME	3.5mm SMD STEREO JACK/OPTO	TOLERANCE UNLESS	0.0±0.2	UNIT:	mm
PART NO.		OTHERWISE SPECIFIED:	0.00±0.1 0.000±0.05		

F E D C B A