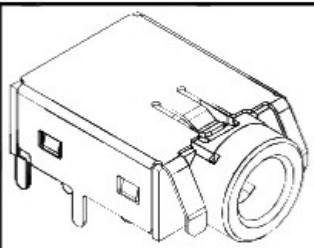


F E D C B A

ZONE	SYMBOL	REVISION	APPROVAL	DATE



RoHS
Compliant

1

1

2

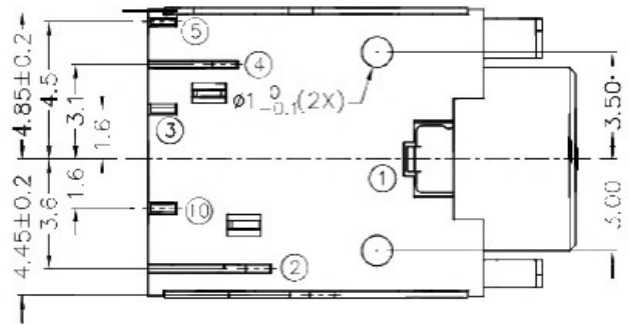
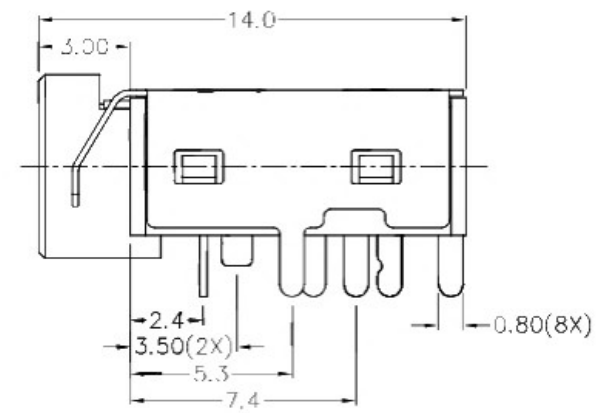
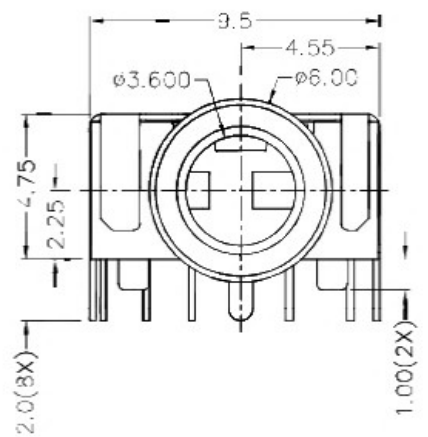
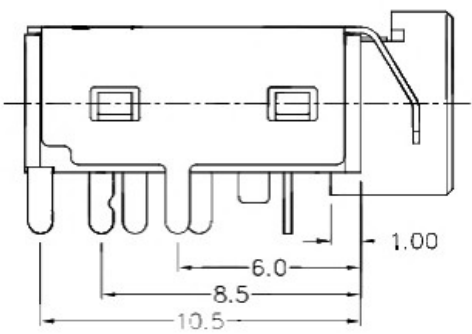
2

3

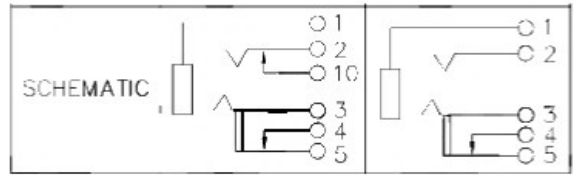
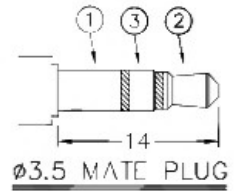
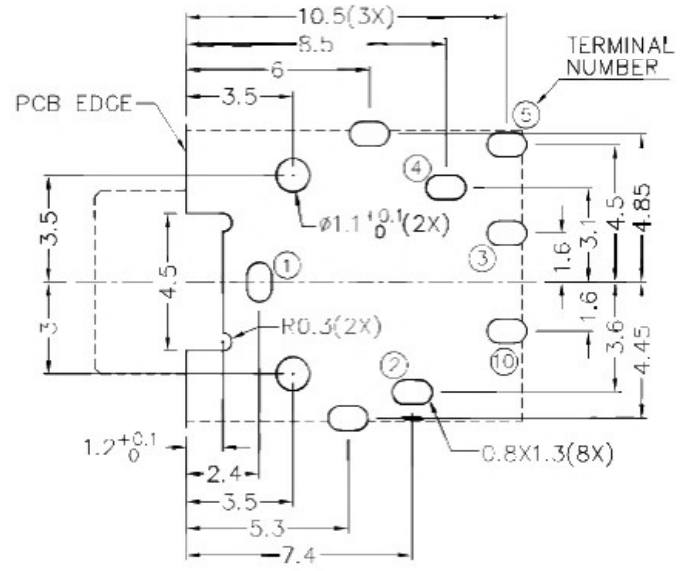
3

4

4



* MATERIAL
 TERM NAL 1 : COPPER ALLOY
 TERM NAL 2 : COPPER ALLOY
 TERM NAL 3 : COPPER ALLOY
 TERM NAL 4 : COPPER ALLOY
 TERM NAL 5 : COPPER ALLOY
 TERM NAL 10 : BRASS
 SHIELD : COPPER ALLOY
 HOUS NG : THERMOPLASTIC



RECOMMENDED PCB LAYOUT
 TOLERANCE: ±0.05
 (TOP VIEW)

广东科斯达开关厂

PART NAME	3.5mm STEREO JACK	TOLERANCE UNLESS OTHERWISE SPECIFIED: 0.0±0.2 0.00±0.1 0.000±0.05	UNIT: mm	DESIGN	G.P.YI	DATE	23-10-2006	SCALE	4:1
				DRAWING	J.H.ZHOJ	DATE	5-1-2017	MATERIAL	*
PART NO.				CHECK	T.Y.LI	DATE	5-1-2017	DWG. NO.	TZ\SH396S-2-B/1.0
				APPROVAL		DATE		SHEET	

F E D C B A