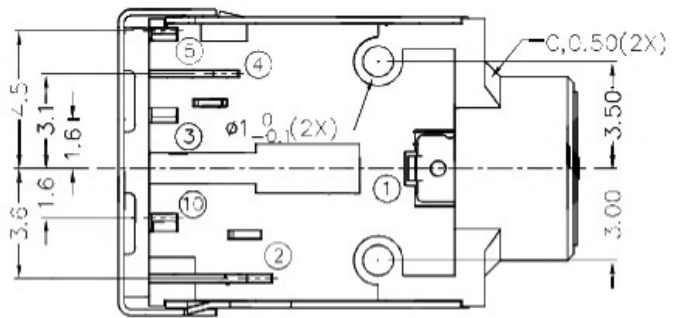
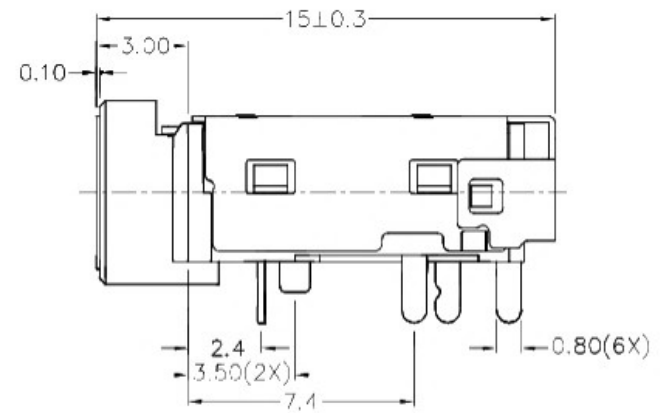
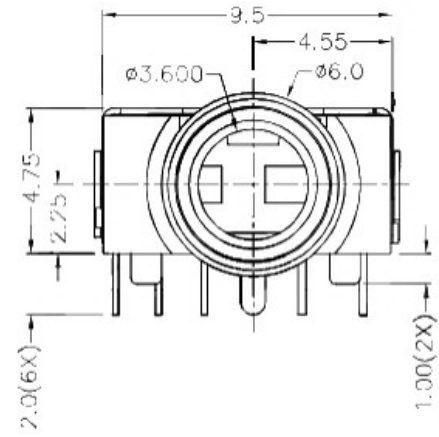
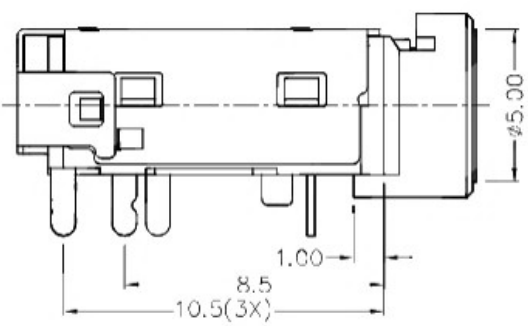
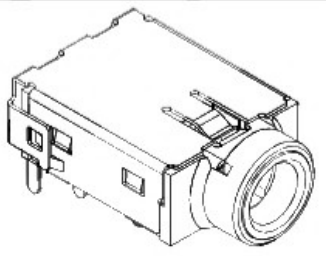


F E D C B A

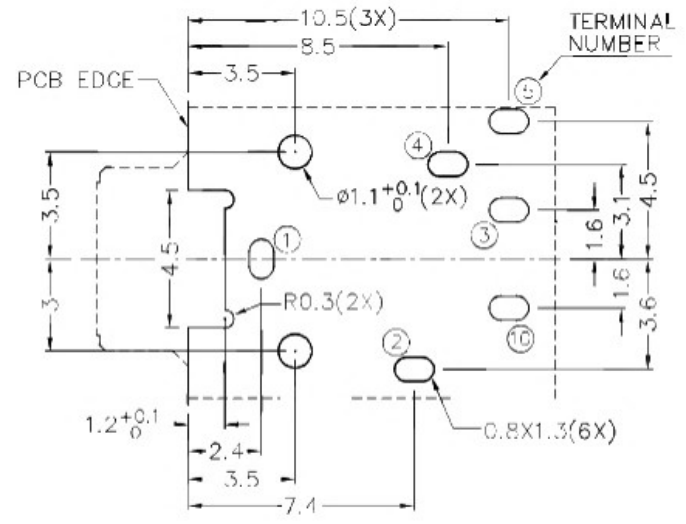
ZONE	SYMBOL	REVISION	APPROVAL	DATE

RoHS
Compliant

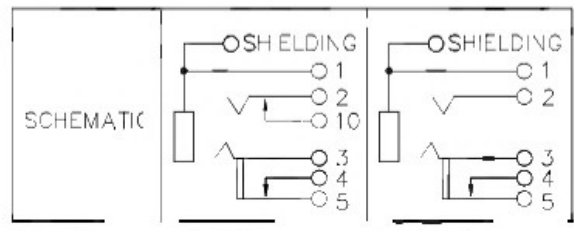
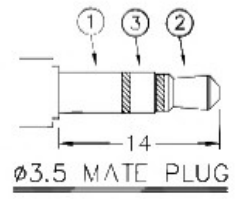


* MATERIAL

- TERMINAL 1 : COPPER ALLOY
- TERMINAL 2 : COPPER ALLOY
- TERMINAL 3 : COPPER ALLOY
- TERMINAL 4 : COPPER ALLOY
- TERMINAL 5 : COPPER ALLOY
- TERMINAL 10 : BRASS
- SHIELD : COPPER ALLOY
- BUSHING : BRASS
- HOUSING : HIGH TEMP. PLASTIC



RECOMMENDED PCB LAYOUT
TOLERANCE: ±0.05
(TOP VIEW)



广东科斯达开关厂

DESIGN	T.Y.LI	DATE	14-1-2009	SCALE	1:1
DRAWING	J.CH.OJ	DATE	5-1-2017	MATERIAL	*
CHECK	H.L.TAN	DATE	5-1-2017	DWG. NO.	12\SH396MS-2-A\1.0
APPROVAL		DATE		SHEET	

PART NAME	3.5mm STEREO JACK	TOLERANCE UNLESS OTHERWISE SPECIFIED:	0.0±0.2 0.00±0.1 0.000±0.05	UNIT:	mm
PART NO.					

F E D C B A