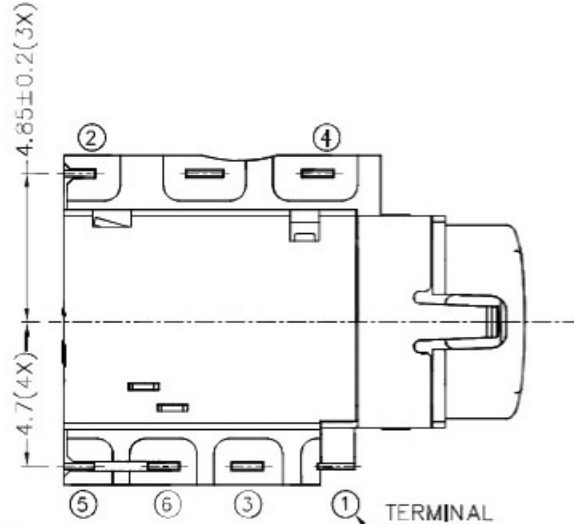
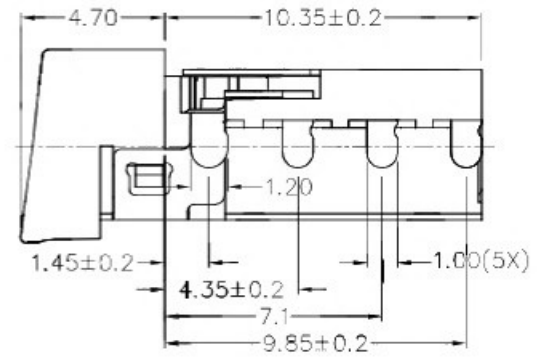
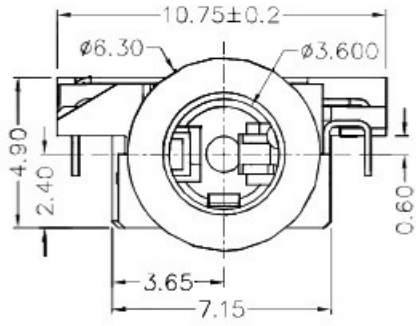
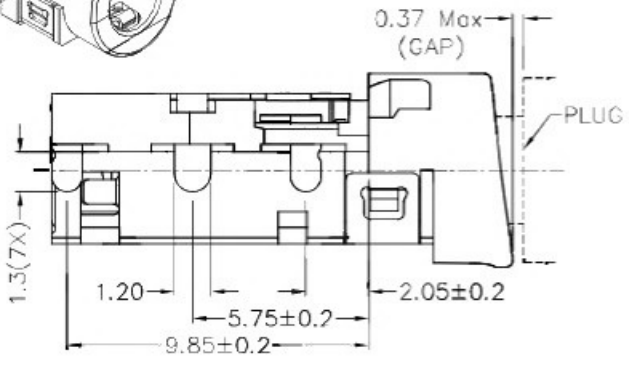
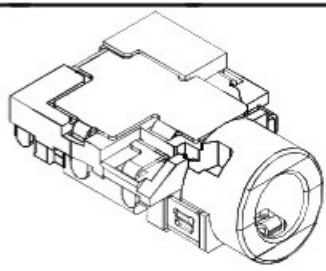


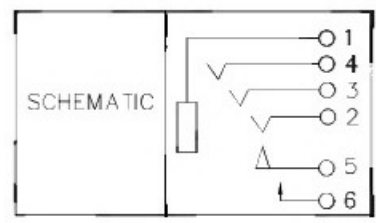
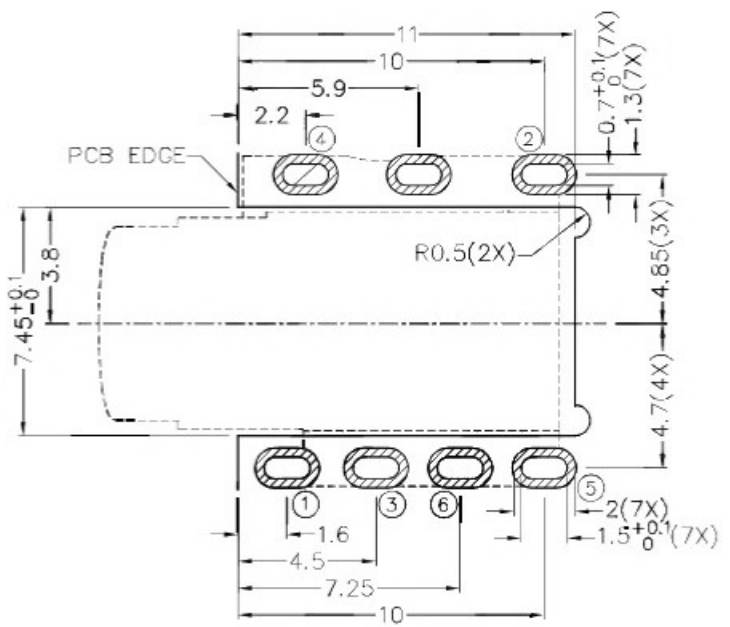
F E D C B A

ZONE	SYMBOL	REVISION	APPROVAL	DATE

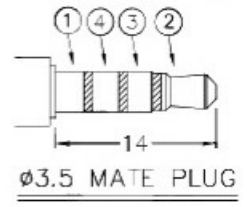
RoHS
Compliant



- * MATERIAL
- TERMINAL 1 : COPPER ALLOY
 - TERMINAL 2 : COPPER ALLOY
 - TERMINAL 3 : COPPER ALLOY
 - TERMINAL 4 : COPPER ALLOY
 - TERMINAL 5 : COPPER ALLOY
 - TERMINAL 6 : COPPER ALLOY
 - SHIELD : BRASS
 - HOUSING : HIGH TEMP. PLASTIC
 - INSULATOR : HIGH TEMP. PLASTIC



RECOMMENDED PCB LAYOUT
TOLERANCE: ±0.05
(TOP VIEW)



 广东科斯达开关厂

DESIGN	J.H.ZHOU	DATE	21-10-2014	SCALE	4:1
DRAWING	H.L.TAN	DATE	20-2-2017	MATERIAL	*
CHECK	T.Y.LI	DATE	20-2-2017	DWG. NO.	ITZ\SH599DS-A/1.0
APPROVAL		DATE		SHEET	

PART NAME	3.5mm SMD STEREO JACK	TOLERANCE UNLESS	0.0±0.2	UNIT:	mm
PART NO.		OTHERWISE SPECIFIED:	0.00±0.1 0.000±0.05		

F E D C B A