

F

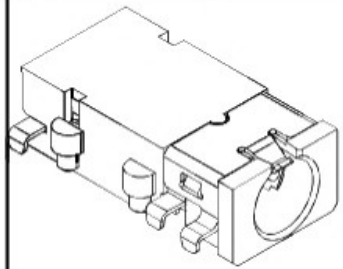
E

D

C

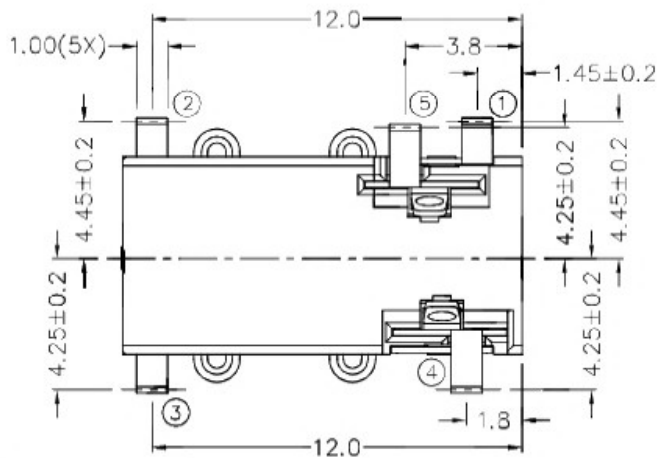
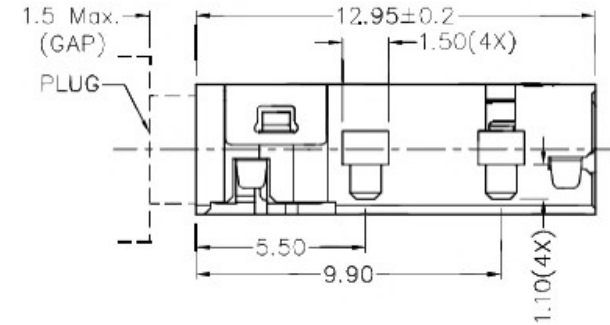
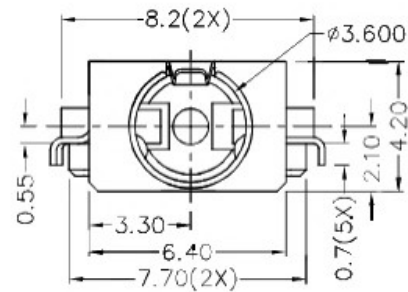
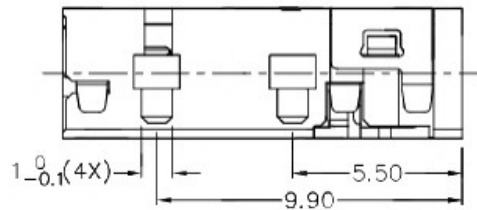
B

A



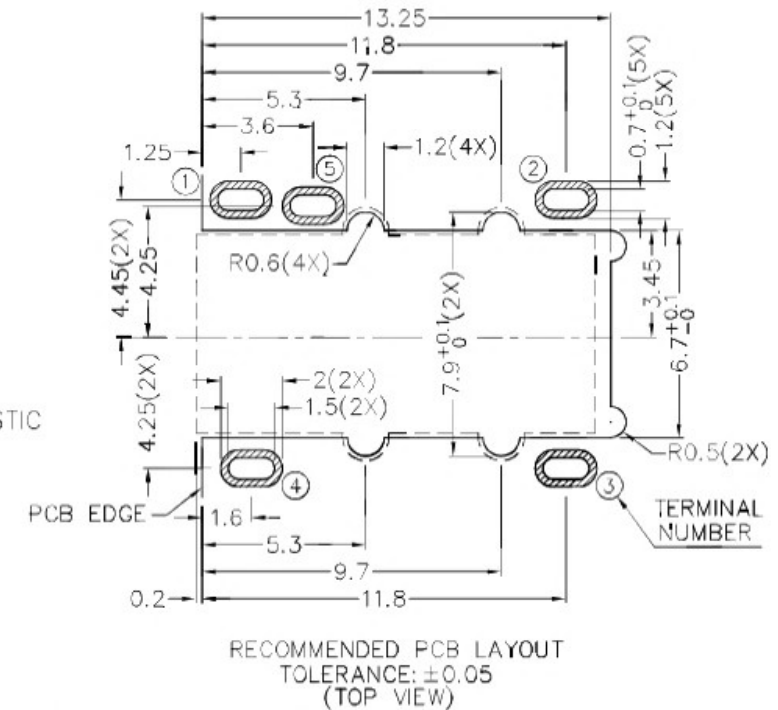
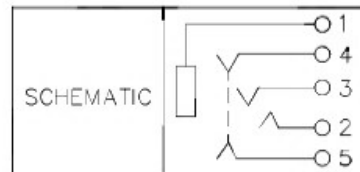
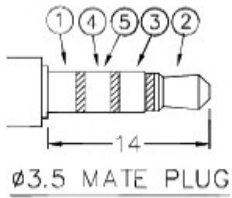
RoHS  
Compliant

ZONE	SYMBOL	REVISION	APPROVAL	DATE



\* MATERIAL

TERMINAL 1 : COPPER ALLOY  
 TERMINAL 2 : COPPER ALLOY  
 TERMINAL 3 : COPPER ALLOY  
 TERMINAL 4 : COPPER ALLOY  
 TERMINAL 5 : COPPER ALLOY  
 HOUSING : HIGH TEMP. PLASTIC



 广东科斯达开关厂

PART NAME	3.5mm SMD STEREO JACK	TOLERANCE UNLESS	0.0 $\pm$ 0.2	UNIT:	
PART NO.		OTHERWISE SPECIFIED:	0.00 $\pm$ 0.1 0.000 $\pm$ 0.05	mm	

DESIGN	G.P.YI	DATE	14-10-2011	SCALE	4:1
DRAWING	T.Y.LI	DATE	18-1-2017	MATERIAL	*
CHECK	H.L.TAN	DATE	18-1-2017	DWG. NO.	TZ\SH544D-A/1.0
APPROVAL		DATE		SHEET	

F

E

D

C

B

A