

F

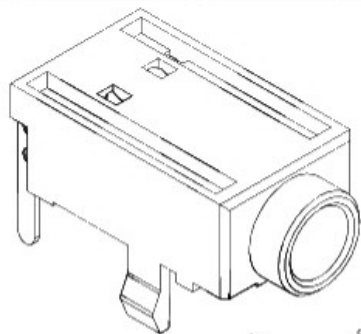
E

D

C

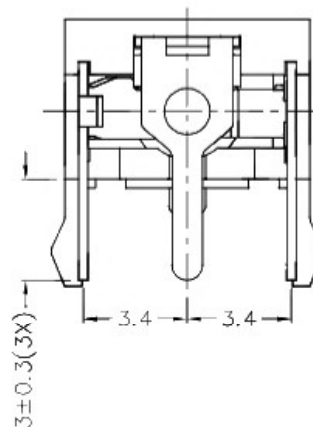
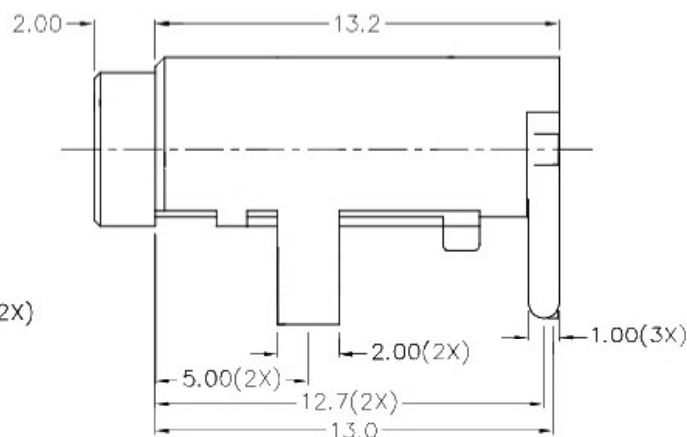
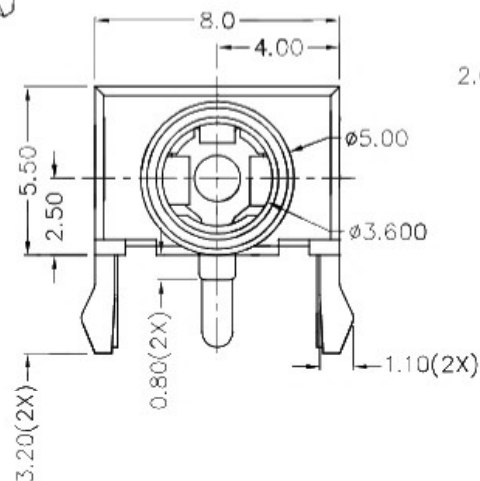
B

A



ZONE	SYMBOL	REVISION	APPROVAL	DATE

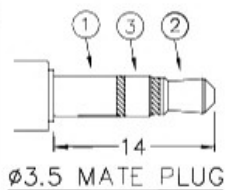
RoHS
Compliant



PCB THK.	A
1	8.2
1.2	8.4
1.6	8.8

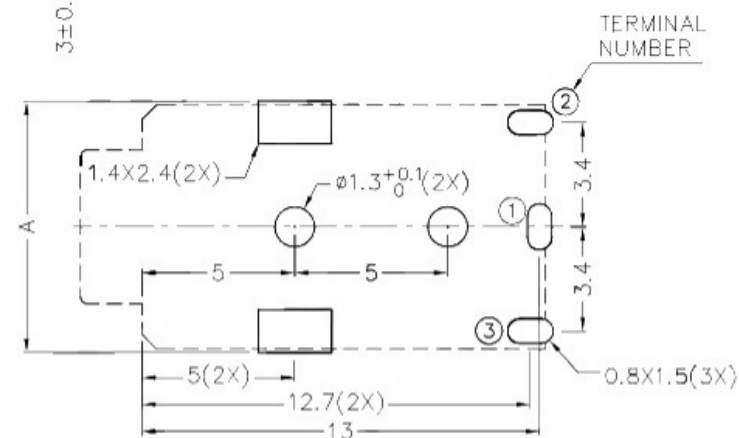
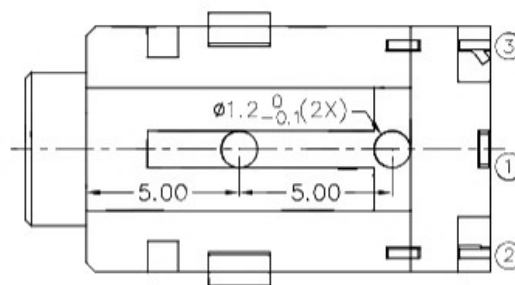
*MATERIAL

TERMINAL 1 : COPPER ALLOY
 TERMINAL 2 : COPPER ALLOY
 TERMINAL 3 : COPPER ALLOY
 HOUSING : THERMOPLASTIC



∅3.5 MATE PLUG

MODEL NO.	TSH-3793
SCHEMATIC	



RECOMMENDED PCB LAYOUT
 TOLERANCE: ±0.05
 (TOP VIEW)

广东科斯达开关厂

DESIGN	J.X.KUANG	DATE	7-10-2003	SCALE	4:1
DRAWING	J.H.ZHOU	DATE	28-12-2016	MATERIAL	*
CHECK	T.Y.LI	DATE	28-12-2016	DWG. NO.	TZ\SH379-B/1.0
APPROVAL		DATE		SHEET	

PART NAME	3.5mm STEREO JACK	TOLERANCE UNLESS	0.0±0.2	UNIT:
PART NO.		OTHERWISE SPECIFIED:	0.00±0.1 0.000±0.05	

F

E

D

C

B

A