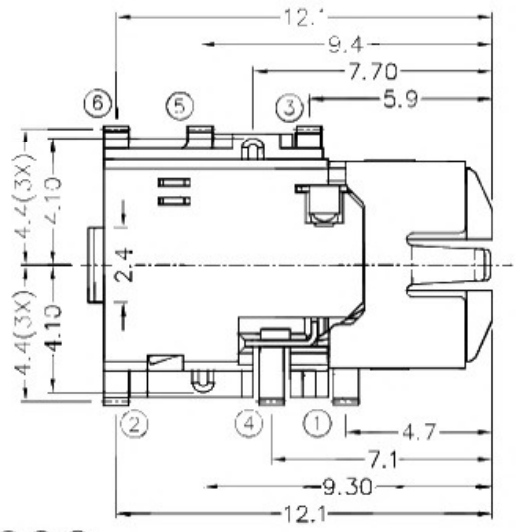
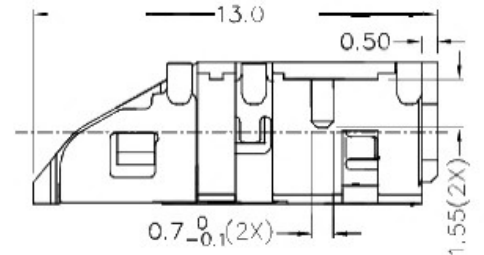
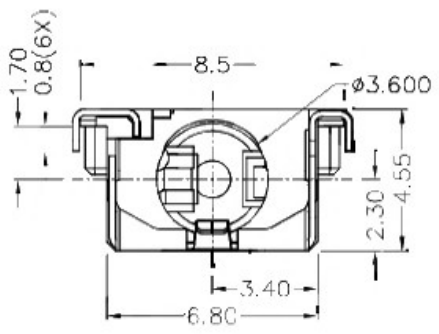
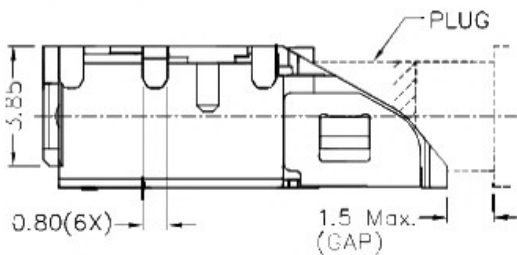
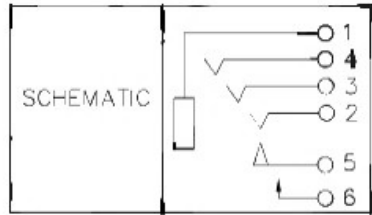
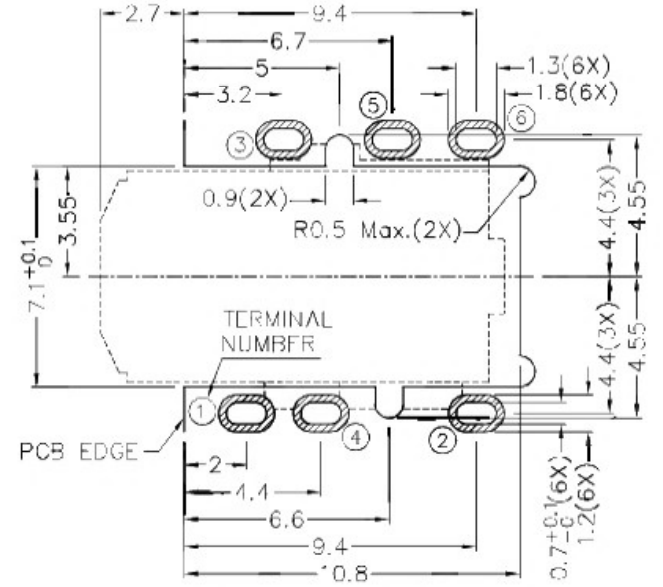


RoHS  
Compliant

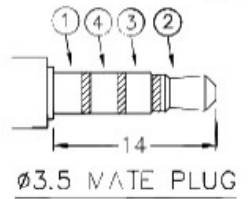
C		B		A	
ZCNE	SYMBOL	REVISION	APPROVAL	DATE	



\* MATERIAL  
 TERMINAL 1 : COPPER ALLOY  
 TERMINAL 2 : COPPER ALLOY  
 TERMINAL 3 : COPPER ALLOY  
 TERMINAL 4 : COPPER ALLOY  
 TERMINAL 5 : COPPER ALLOY  
 TERMINAL 6 : COPPER ALLOY  
 HOUSING : HIGH TEMP. PLAST C  
 INSULATOR : HIGH TEMP. PLAST C



RECOMMENDED PCB LAYOUT  
 TOLERANCE: ±0.05  
 (TOP VIEW)



广东科斯达开关厂

PART NAME		3.5mm SMD STEREO JACK		TOLERANCE UNLESS 0.0±0.2		UNIT:		DESIGN	D.LIU	DATE	25-1-2013	SCALE	4:1
PART NO.				OTHERWISE SPECIFIED: 0.00±0.1				DRAWING	W.H.ZHOU	DATE	9-2-2017	MATERIAL	*
								CHECK	T.Y.LI	DATE	9-2-2017	DWG. NO.	TZ\SH570D-A/1.0
								APPROVAL		DATE		SHEET	