

F

E

D

C

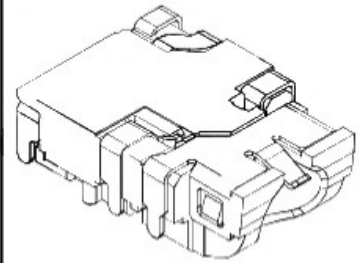
B

A

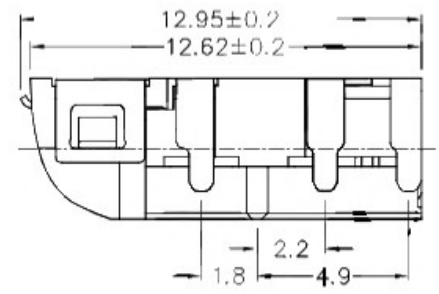
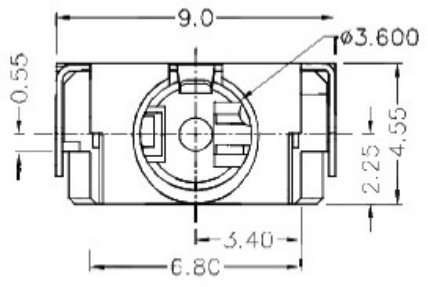
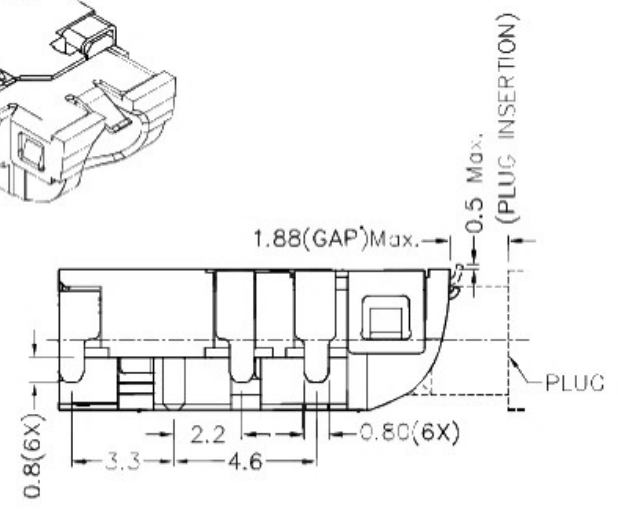
ZCNF	SYMBOL	REVISION	APPROVAL	DATE

RoHS
Compliant

1



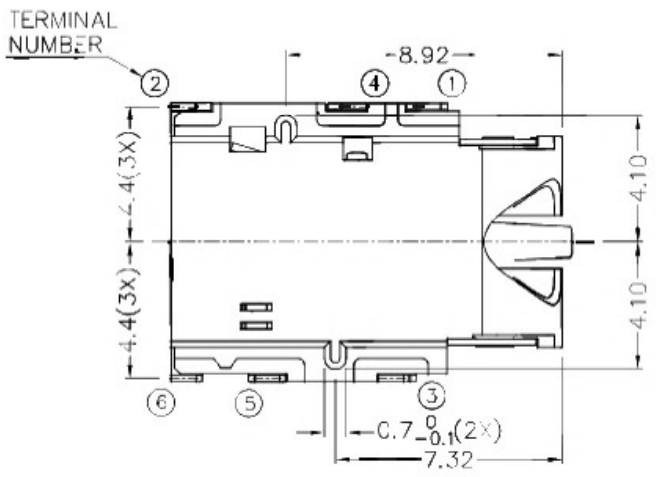
2



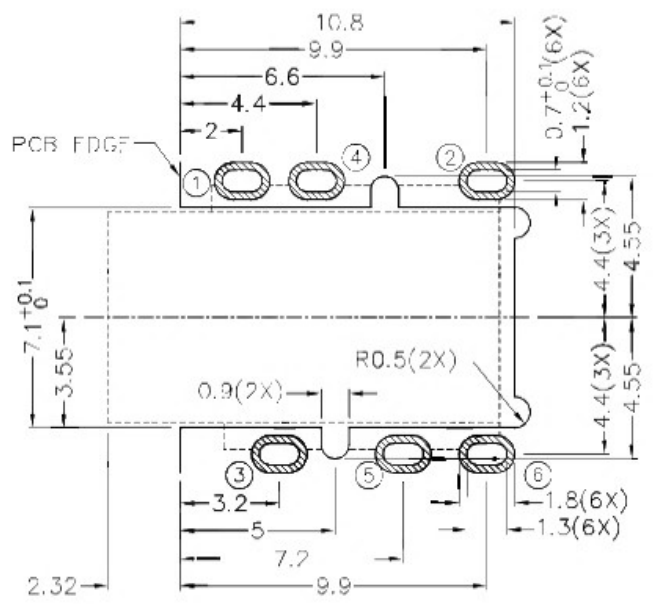
1

2

3

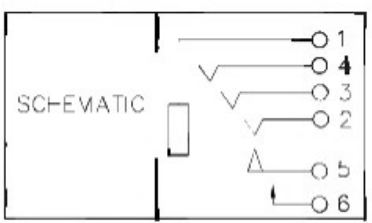
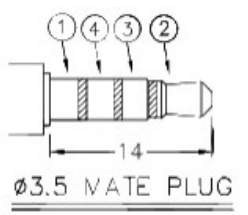


* MATERIAL
 TERMINAL 1 : COPPER ALLOY
 TERMINAL 2 : COPPER ALLOY
 TERMINAL 3 : COPPER ALLOY
 TERMINAL 4 : COPPER ALLOY
 TERMINAL 5 : COPPER ALLOY
 TERMINAL 6 : COPPER ALLOY
 HOUSING : HIGH TEMP. PLASTIC
 INSULATOR : HIGH TEMP. PLASTIC



3

4



RECOMMENDED PCB LAYOUT
 TOLERANCE: ±0.05
 (TOP VIEW)

4

广东科斯达开关厂

PART NAME	3.5mm SMD STEREO JACK	TOLERANCE UNLESS	0.0±0.2	UNIT:	mm
PART NO.		OTHERWISE SPECIFIED:	0.00±0.1 0.000±0.05		

DESIGN	H.L.TAN	DATE	9-4-2014	SCALE	4:1
DRAWING	H.Q.ZHOU	DATE	16-2-2017	MATERIAL	×
CHECK	T.Y.LI	DATE	16-2-2017	DWG. NO.	TZ\SH590D-A/1.0
APPROVAL		DATE		SHEET	

F

E

D

C

B

A