

F

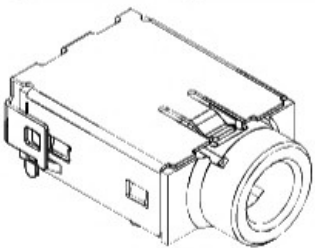
E

D

C

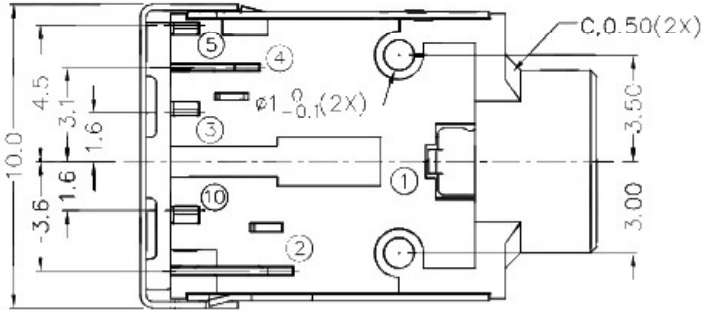
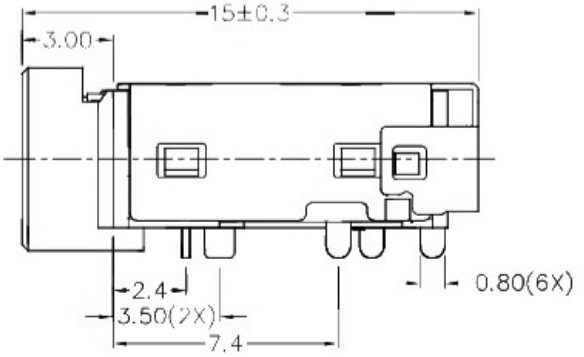
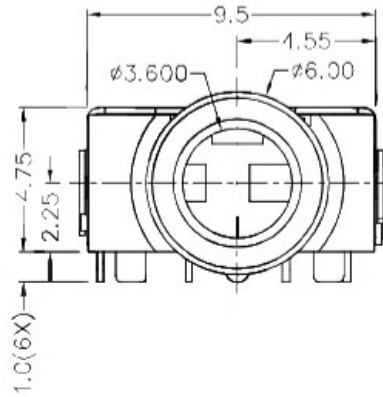
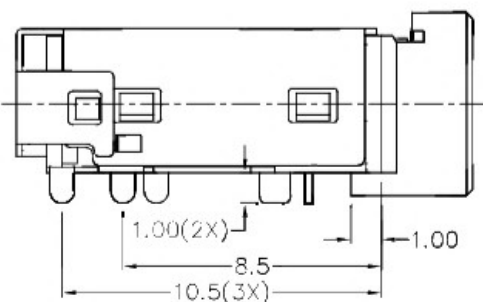
B

A

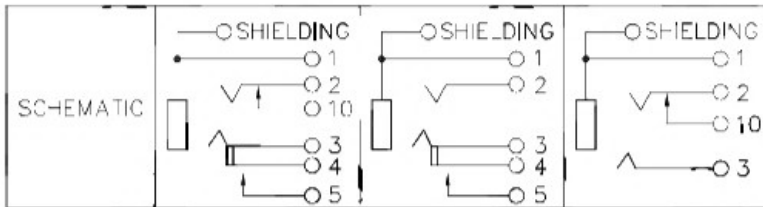
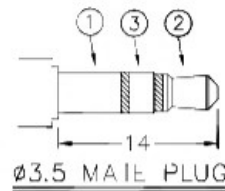
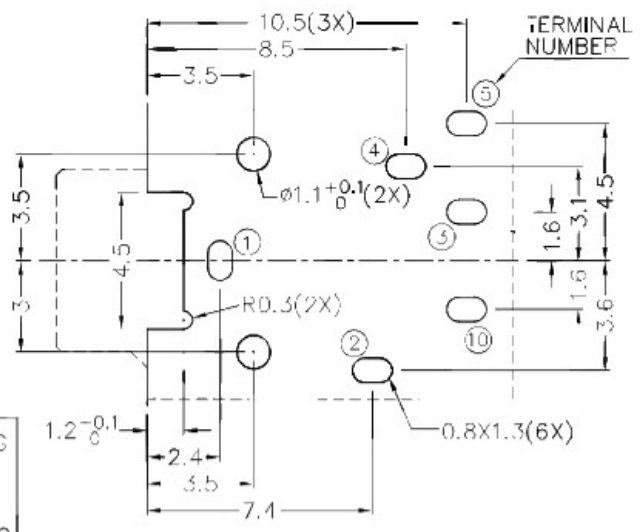


RoHS
Compliant

ZCNE	SYMBOL	REVISION	A-PROVAL	DATE



- * MATERIAL
- TERMINAL 1 : COPPER ALLOY
 - TERMINAL 2 : COPPER ALLOY
 - TERMINAL 3 : COPPER ALLOY
 - TERMINAL 4 : COPPER ALLOY
 - TERMINAL 5 : COPPER ALLOY
 - TERMINAL 10: BRASS
 - SHIELD : COPPER ALLOY
 - HOUSING : HIGH TEMP. PLASTIC



RECOMMENDED PCB LAYOUT
TOLERANCE: ±0.05
(TOP VIEW)

广东科斯达开关厂

DESIGN	H.L.IAN	DATE	10-6-2011	SCALE	4:1
DRAWING	H.Q.ZHOU	DATE	6-1-2017	MATERIAL	*
CHECK	T.Y.LI	DATE	6-1-2017	DWG. NO.	TZ\SH396S3-3-H3-A/1.0
APPROVAL		DATE		SHEET	

PART NAME	3.5mm STEREO JACK	TOLERANCE UNIFORM	0.0±0.2	UNIT:	mm
PART NO.		OTHERWISE SPECIFIED:	0.00±0.1 0.000±0.05		

F

E

D

C

B

A