

F

E

D

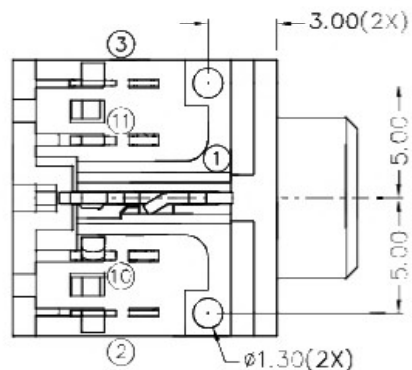
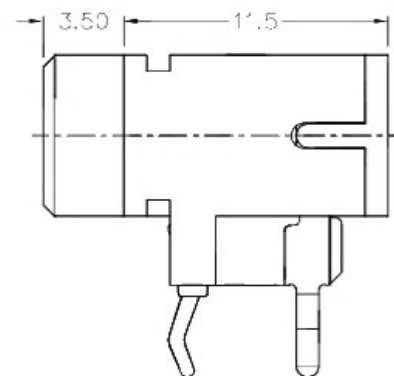
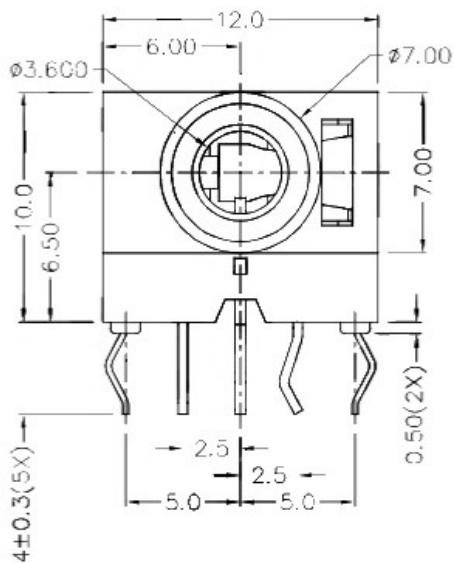
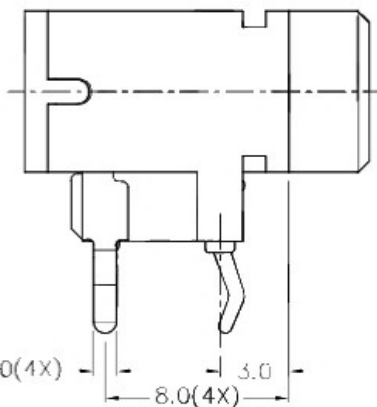
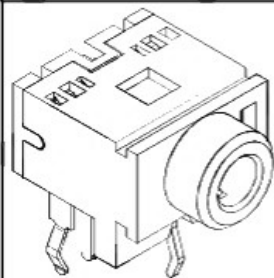
C

B

A

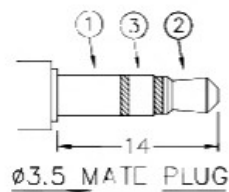
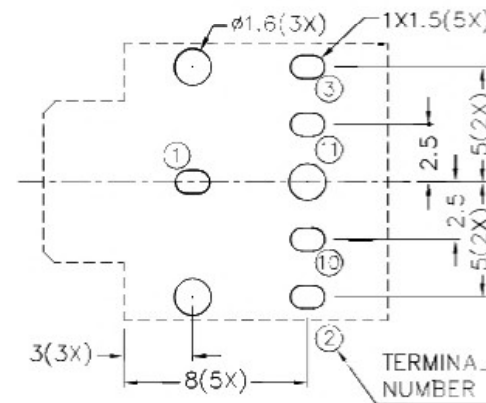
ZONF	SYMBOL	REVISION	A-PROVAL	DATE

RoHS
Compliant



* MATERIAL

TERMINAL 1 : BRASS
 TERMINAL 2 : COPPER ALLOY
 TERMINAL 3 : COPPER ALLOY
 TERMINAL 10 : BRASS
 TERMINAL 11 : BRASS
 HOUSING : THERMOPLASTIC
 COVER : THERMOPLASTIC



RECOMMENDED PCB LAYOUT
 TOLERANCE: ±0.05
 (TOP VIEW)

广东科斯达开关厂

PART NAME	3.5mm STEREO JACK	TOLERANCE UNLESS OTHERWISE SPECIFIED:	0.0=0.2 0.00±0.1 0.000±0.05	UNIT:		DESIGN	J.X.KUANG	DATE	6-10-2003	SCALE	3:1
PART NO.						DRAWING	H.Q.ZHOU	DATE	20-12-2016	MATERIAL	*
						CHECK	T.Y.LI	DATE	20-12-2016	DWG. NO.	TZ\SH356-B/1.0
						APPROVAL		DATE		SHEET	

F

E

D

C

B

A