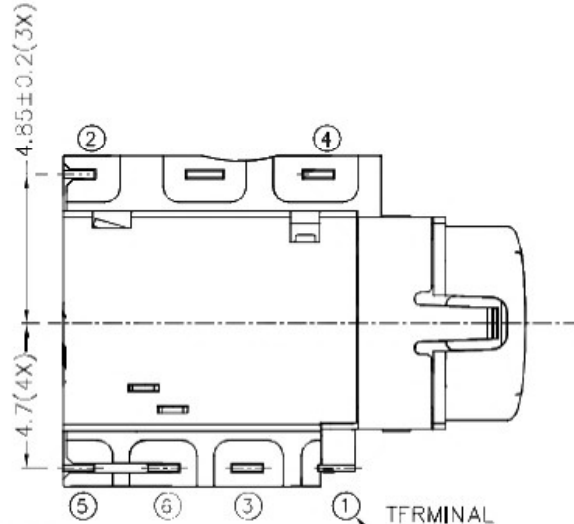
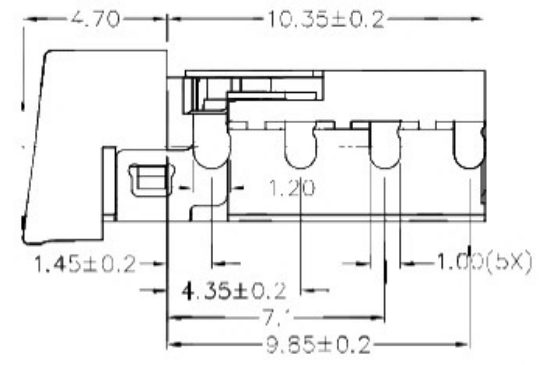
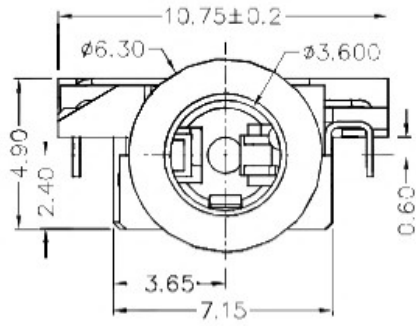
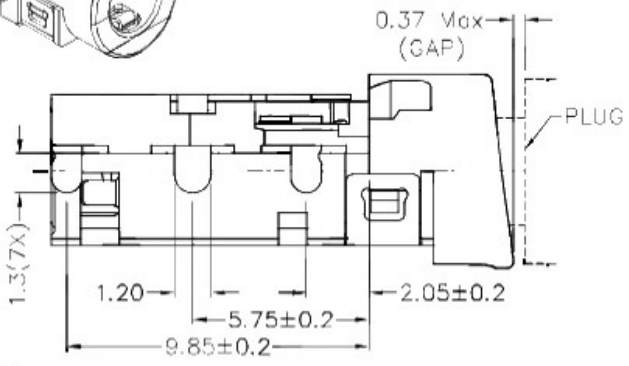
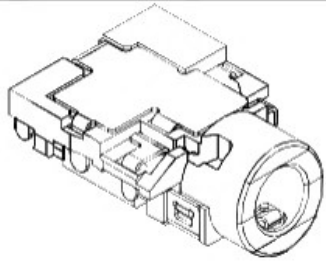


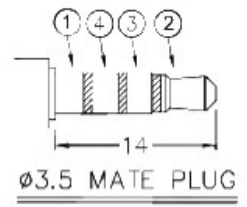
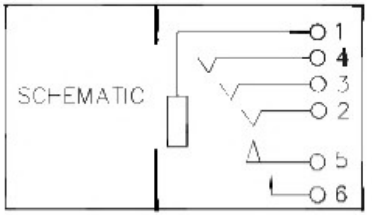
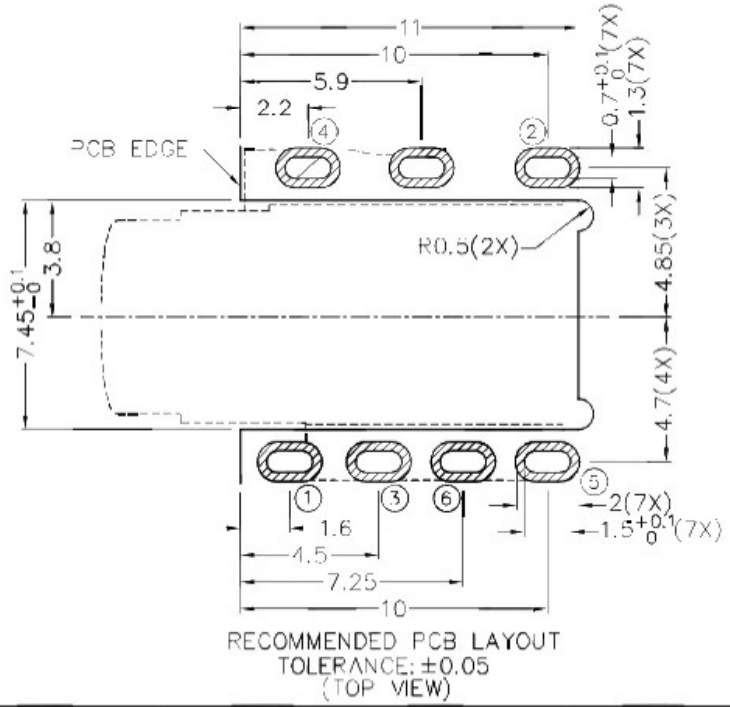
F E D C B A

ZONE	SYMBOL	REVISION	APPROVAL	DATE

RoHS  
Compliant



- \* MATERIAL
- TERMINAL 1 : COPPER ALLOY
  - TERMINAL 2 : COPPER ALLOY
  - TERMINAL 3 : COPPER ALLOY
  - TERMINAL 4 : COPPER ALLOY
  - TERMINAL 5 : COPPER ALLOY
  - TERMINAL 6 : COPPER ALLOY
  - SHIELD : BRASS
  - HOUSING : HIGH TEMP. PLASTIC
  - INSULATOR : HIGH TEMP. PLASTIC



RECOMMENDED PCB LAYOUT  
TOLERANCE: ±0.05  
(TOP VIEW)

广东科斯达开关厂

DESIGN	J.H.ZHOU	DATE	21-10-2014	SCALE	4:1
DRAWING	F.L.TAN	DATE	20-2-2017	MATERIAL	*
CHECK	T.Y.LI	DATE	20-2-2017	DWG. NO.	TZ\SH599DS-A/1.0
APPROVAL		DATE		SHEET	

PART NAME	3.5mm SMD STEREO JACK	TOLERANCE UNLESS	0.0±0.2	UNIT:	mm
PART NO.		OTHERWISE SPECIFIED:	0.00±0.1		

F E D C B A