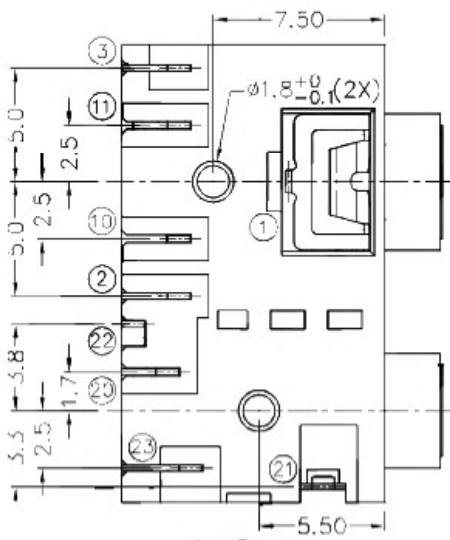
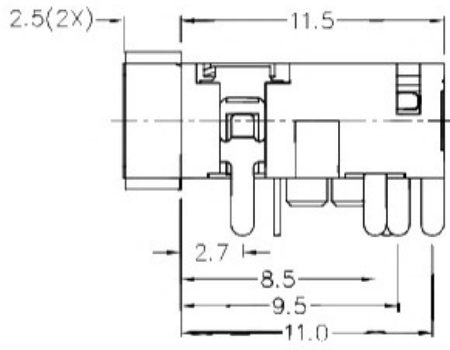
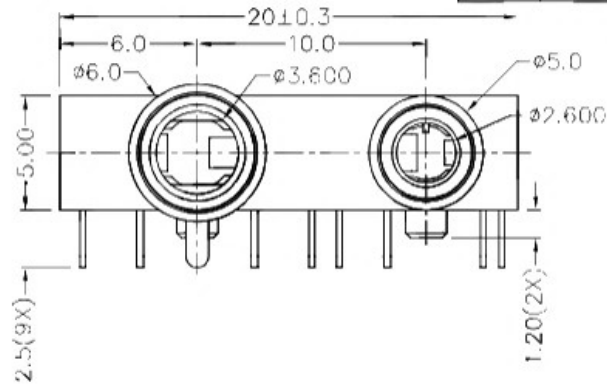
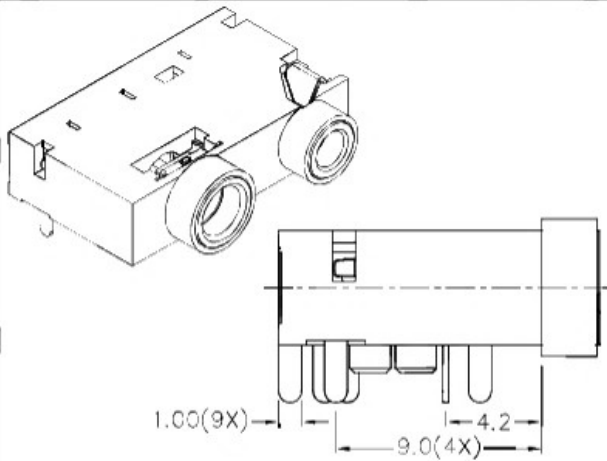
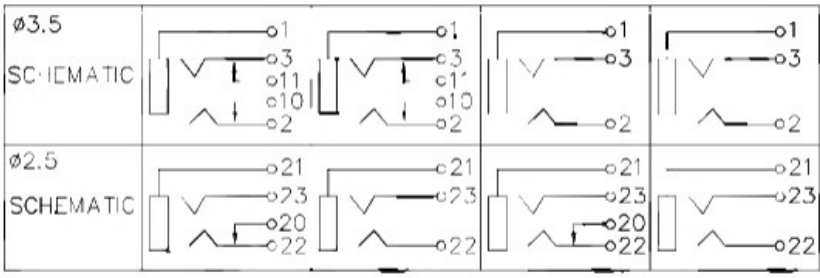
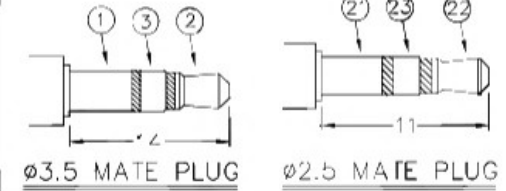
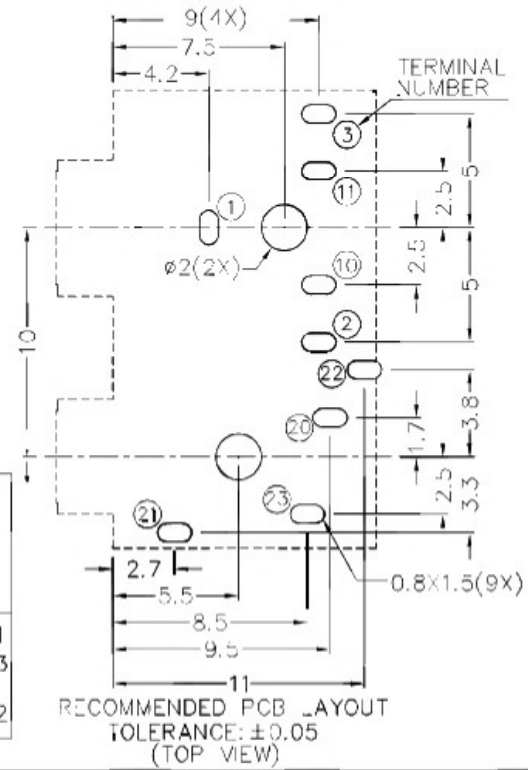


ZONE	SYMBOL	REVISION	A-PROVAL	DATE
		UPDATE 2.5 MATE PLUG DIMENSIONS	J.X.KUANG	5-4-2017

RoHS
Compliant



- × MATERIAL
- TERMINAL 1 : COPPER ALLOY
 - TERMINAL 2 : COPPER ALLOY
 - TERMINAL 3 : COPPER ALLOY
 - TERMINAL 10 : BRASS
 - TERMINAL 11 : BRASS
 - TERMINAL 20 : BRASS
 - TERMINAL 21 : COPPER ALLOY
 - TERMINAL 22 : COPPER ALLOY
 - TERMINAL 23 : COPPER ALLOY
 - BUSHING : BRASS
 - HOUSING : THERMOPLASTIC



RECOMMENDED PCB LAYOUT
TOLERANCE: ±0.05
(TOP VIEW)

 广东科斯达开关厂

DESIGN	L.L.ZHANG	DATE	13-9-2005	SCAIF	3:1
DRAWING	H.Q.ZHOJ	DATE	5-4-2017	MATERIAL	*
CHECK	T.Y.LI	DATE	5-4-2017	DWG. NO.	TZ\SH-370-B/1.1
APPROVAL		DATE		SHEET	

PART NAME	3.5&2.5mm COMBINATON JACK	TOLERANCE UNIFORM	0.0±0.2	UNIT:	mm
PART NO.		OTHERWISE SPECIFIED:	0.00±0.1 0.000±0.05		