

F

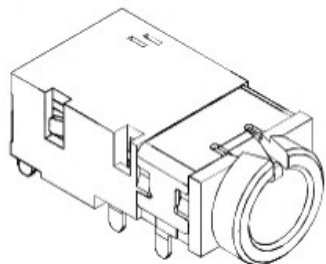
E

D

C

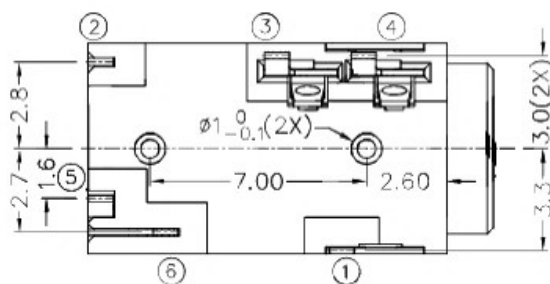
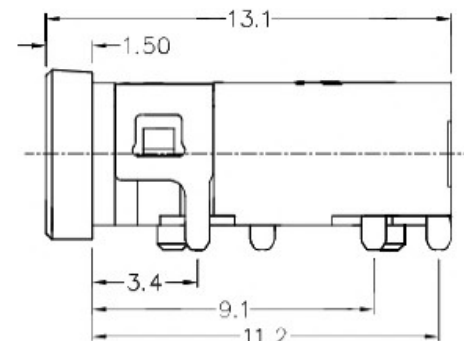
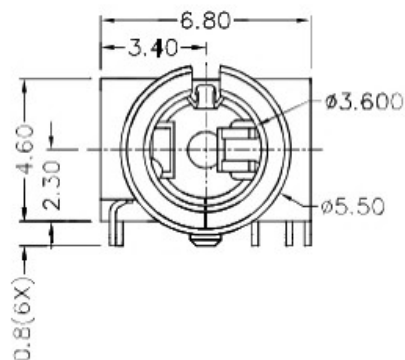
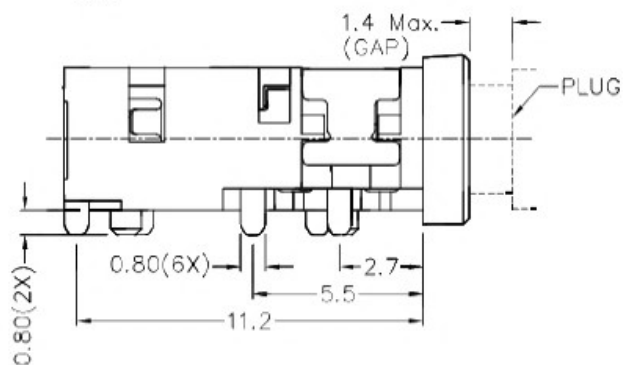
B

A



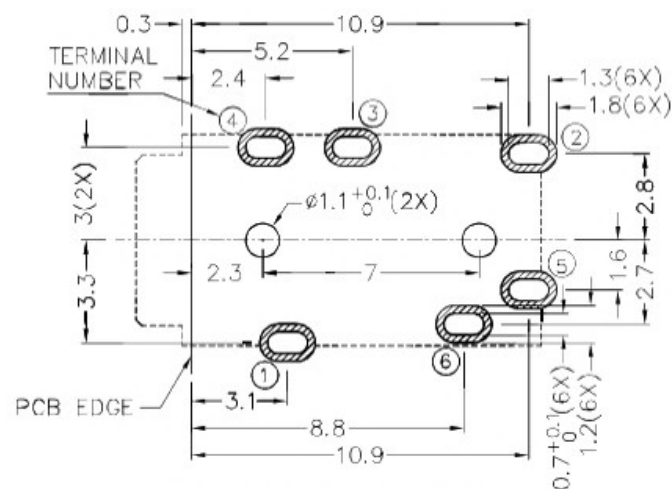
RoHS
Compliant

ZONE	SYMBOL	REVISION	APPROVAL	DATE

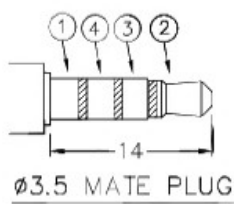
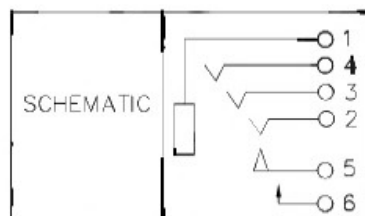


* MATERIAL

TERMINAL 1 : COPPER ALLOY
 TERMINAL 2 : COPPER ALLOY
 TERMINAL 3 : COPPER ALLOY
 TERMINAL 4 : COPPER ALLOY
 TERMINAL 5 : COPPER ALLOY
 TERMINAL 6 : COPPER ALLOY
 HOUSING : HIGH TEMP. PLASTIC
 INSULATOR : HIGH TEMP. PLASTIC



RECOMMENDED PCB LAYOUT
 TOLERANCE: ±0.05
 (TOP VIEW)



 广东科斯达开关厂

PART NAME 3.5mm STEREO JACK
 PART NO.

TOLERANCE UNLESS 0.0±0.2
 OTHERWISE SPECIFIED: 0.00±0.1
 0.000±0.05

UNIT: mm



DESIGN	J.X.CAI	DATE	18-5-2013	SCALE	4:1
DRAWING	H.L.TAN	DATE	13-2-2017	MATERIAL	*
CHECK	T.Y.LI	DATE	13-2-2017	DWG. NO.	TZ\SH578-A/1.0
APPROVAL		DATE		SHEET	

F

E

D

C

B

A