

F

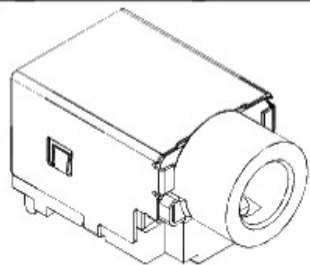
E

D

C

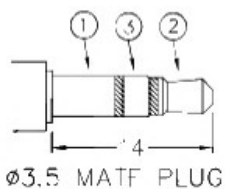
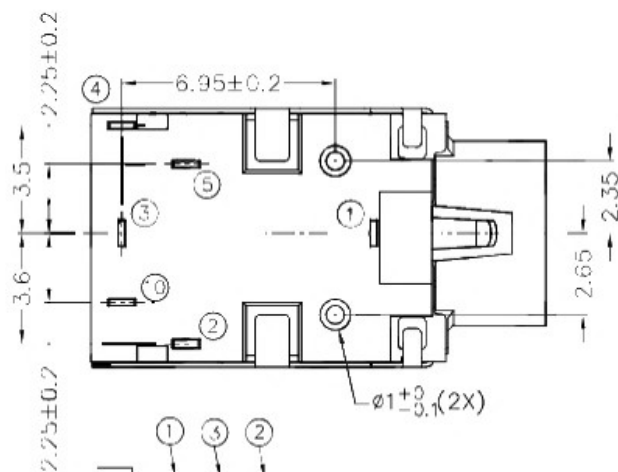
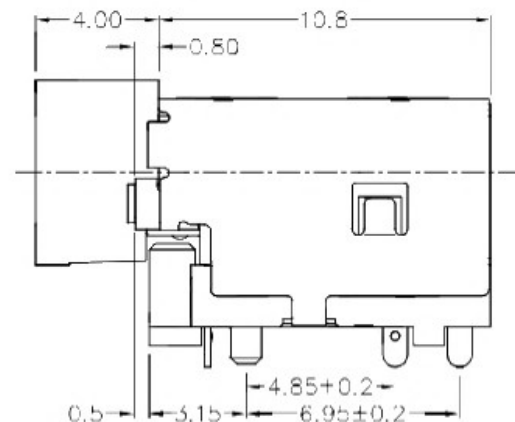
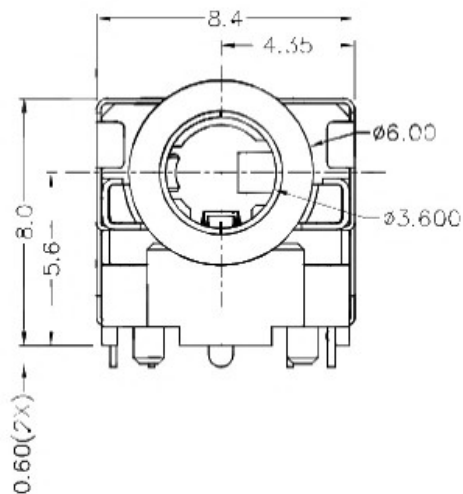
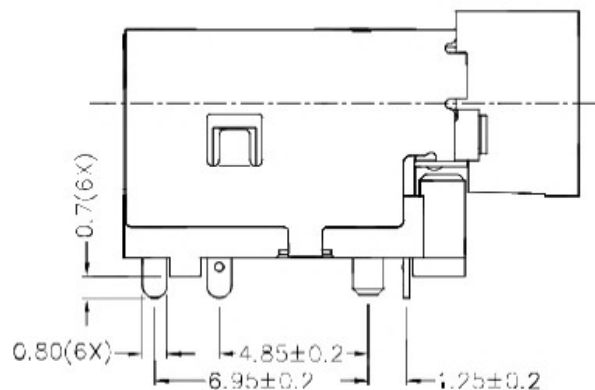
B

A



RoHS
Compliant

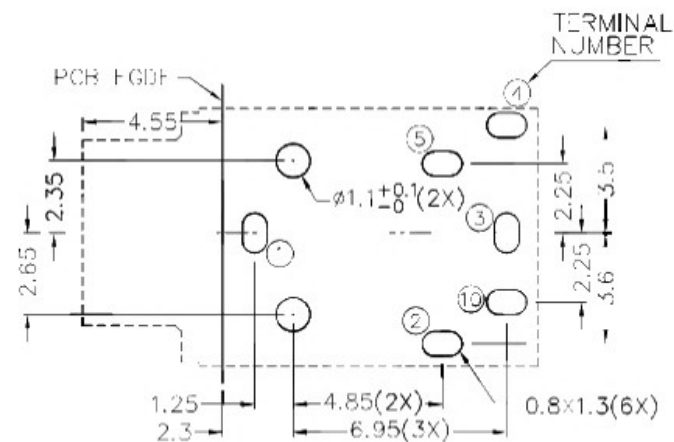
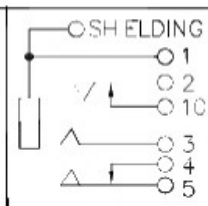
ZONE	SYMBOL	REVISION	APPROVAL	DATE



* MATERIAL

TERMINAL 1 : COPPER ALLOY
 TERMINAL 2 : COPPER ALLOY
 TERMINAL 3 : COPPER ALLOY
 TERMINAL 4 : COPPER ALLOY
 TERMINAL 5 : BRASS
 TERMINAL 10 : COPPER ALLOY
 SHIELD : STAINLESS STEEL
 HOUSING : HIGH TEMP. PLASTIC
 COVER : HIGH TEMP. PLASTIC
 INSULATOR : HIGH TEMP. PLASTIC

SCHEMATIC



RECOMMENDED PCB LAYOUT
 TOLERANCE: ± 0.05
 (TOP VIEW)

广东科斯达开关厂

DESIGN	J.X.KUANG	DATE	1-8-2008	SCALE	4:1
DRAWING	J.H.ZHOU	DATE	10-1-2007	MATERIAL	*
CHECK	T.Y.LI	DATE	10-1-2007	DWG. NO.	TZ\SH506S-A/1.0
APPROVAL		DATE		SHEET	

PART NAME	3.5mm STEREO JACK	TOLERANCE UNLESS	0.0±0.2	UNIT:	mm
PART NO.		OTHERWISE SPECIFIED:	0.00±0.1 0.000±0.05		

F

E

D

C

B

A